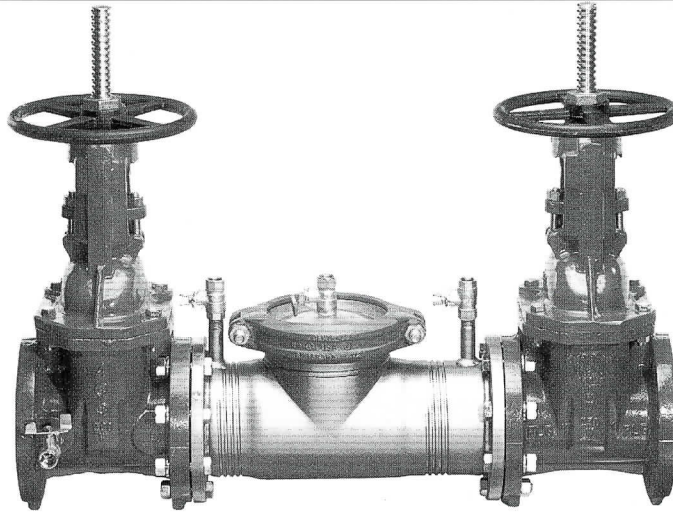


Single Check Valve Length!

SILVER BULLET
next generation



MODEL 2001SS Double Check Assembly

■ APPLICATION

The Ames 2001SS provides positive drip-tight closure against the reverse flow of non potable liquids caused by a cross connection. The 2001SS can be used in fire protection systems, irrigation systems and other systems requiring non-health hazard protection.

■ INSTALLATION

The 2001SS may be installed vertically or horizontally. Refer to local codes for specific installation requirements.

■ SPECIFICATIONS

The double check shall consist of two independently operated spring loaded cam-check valves, required test cocks, and optional inlet and outlet resilient wedge shut off valves. Each cam check shall be internally loaded and provide a positive drip tight closure against the reverse flow of liquid caused by back siphonage or back pressure. The modular cam-check includes a stainless steel spring and cam-arm, rubber faced disc and a replaceable seat.

■ NATIONAL APPROVALS

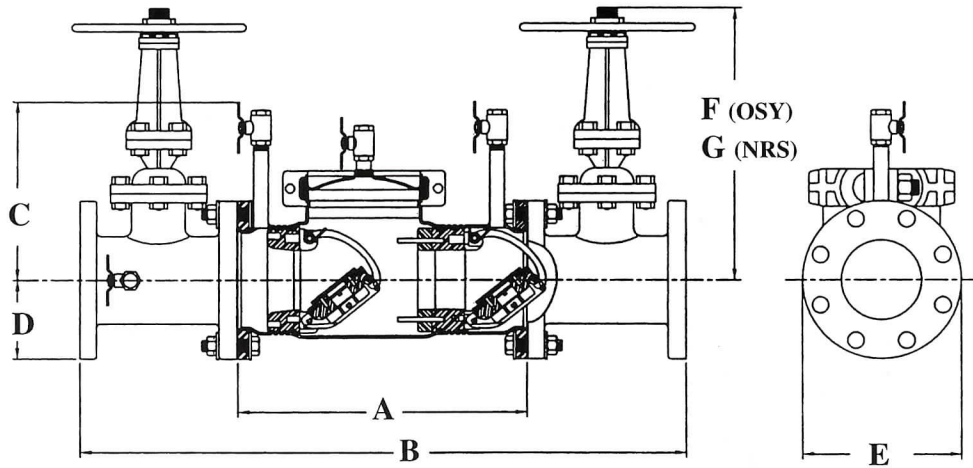
Contact the Ames factory for specific approvals.

■ FEATURES

- 50% Shorter end to end dimensions for compact inexpensive installation.
- 60% lighter in weight, reduces installation and handling costs.
- Stainless steel reinforced patented cam check assembly for long term reliability and low head loss.
- Reversible cam check disc.
- 100% Lead Free.
- No Special Tools Required for Servicing.
- 300 stainless steel one piece body.
- Same lay length as most Detector Check Valves, for retrofit applications.

AMIES^{CO.}
FLUID CONTROL SYSTEMS

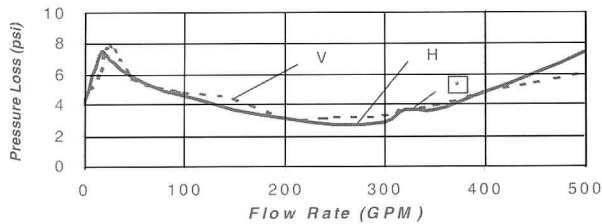
MODEL 2001SS Double Check Assembly



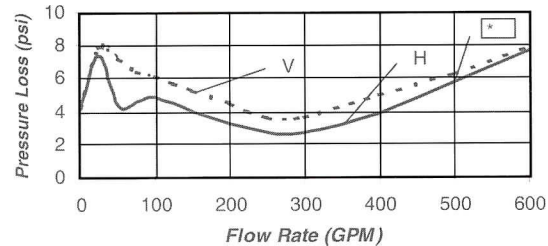
Ames 2001SS - Weights & Dimensions

Size	A	B	C	D	E	F	G	Weight w/ Gates	Weight w/o Gates
	in.	in.	in.	in.	in.	in.	in.	lbs.	lbs.
3"	20"	36 1/8"	10 1/2"	3 3/4"	7 1/2"	18 7/8"	12 3/8"	190	43
4"	16 1/2"	34 5/8"	10 1/2"	4 1/2"	9"	22 3/4"	14 3/4"	255	42
6"	22 1/2"	43 5/8"	12 1/2"	5 1/2"	11"	30 1/8"	19"	399	78
8"	22 1/2"	45 5/8"	12 1/2"	6 3/4"	13 1/2"	37 3/4"	22 1/2"	613	92

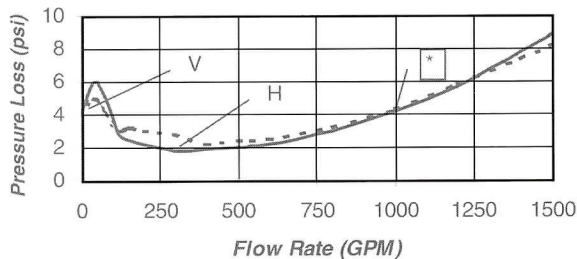
3" DOCUMENTED FLOW CHARACTERISTICS (INCLUDING SHUT-OFF VALVES)



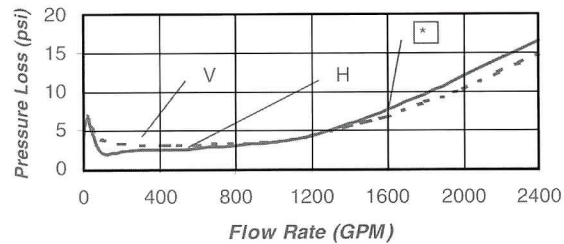
4" DOCUMENTED FLOW CHARACTERISTICS (INCLUDING SHUT-OFF VALVES)



6" DOCUMENTED FLOW CHARACTERISTICS (INCLUDING SHUT-OFF VALVES)



8" DOCUMENTED FLOW CHARACTERISTICS (INCLUDING SHUT-OFF VALVES)



* Approximate head loss at the UL rated flow.

V = Vertical

H = Horizontal

Contact Ames Company for "N" pattern configuration information.

AMES
CO.
FLUID CONTROL SYSTEMS

PHYSICAL CHARACTERISTICS

Sizes: 3", 4", 6", 8"

Rated working pressure: 175 psi

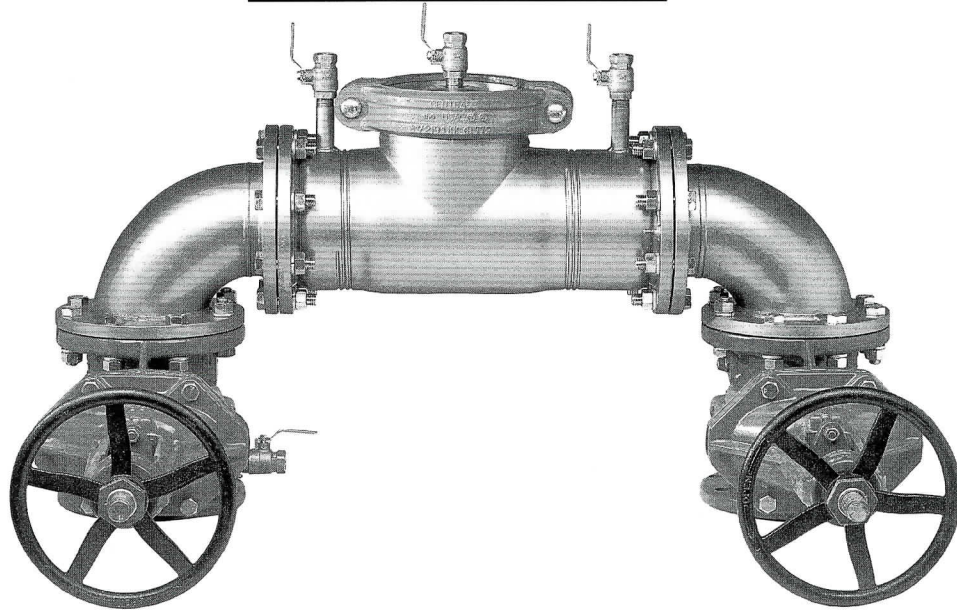
Temperature range: 32°F to 140°F

Flange dimension in accordance with AWWA Class D

All internal metal parts: 300 series stainless steel

Construction: 300 series stainless steel

Single Check Valve Length !



MODEL 2001SSN Double Check Assembly

■ APPLICATION

The Ames 2001SSN provides positive drip-tight closure against the reverse flow of non potable liquids caused by a cross connection. The 2001SSN can be used in fire protection systems, irrigation systems and other systems requiring non health hazard protection.

■ INSTALLATION

The 2001SSN may be installed in confined areas where space is limited. Refer to local codes for specific installation requirements.

■ SPECIFICATIONS

The double check shall consist of two independently operated spring loaded cam-check valves, required test cocks, and optional inlet and outlet resilient wedge shut off valves. Each cam check shall be internally loaded and provide a positive drip tight closure against the reverse flow of liquid caused by back siphonage or back pressure. The modular cam-check includes a stainless steel spring and cam-arm, rubber faced clapper with reversible cam check disc.

■ NATIONAL APPROVALS

Contact the Ames factory for specific approvals.

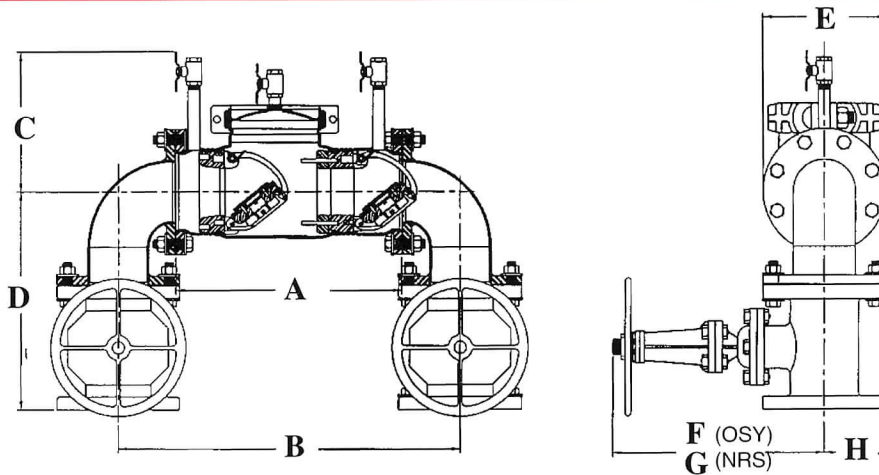
■ FEATURES

- 50% Shorter end to end dimensions for compact inexpensive installation.
- 60% lighter in weight, reduces installation and handling costs.
- Stainless steel reinforced patented cam check assembly for long term reliability and low head loss.
- Reversible cam check disc.
- 100% Lead Free.
- No Special Tools Required for Servicing.
- 300 series stainless steel one piece body.
- Same lay length as most single Detector Check Valves, for retrofit applications.

AMES^{CO.}

FLUID CONTROL SYSTEMS

MODEL 2001SSN Double Check Assembly

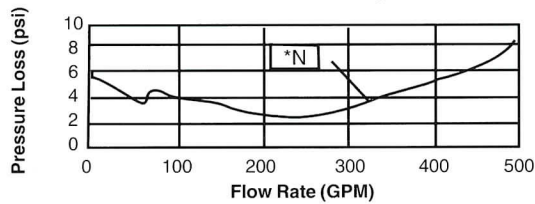


Weights and Dimensions

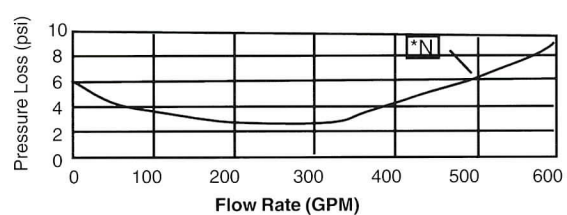
Size in.	A in.	B in.	C in.	D in.	E in.	F in.	G in.	H in.	WEIGHT W/ GATES*	WEIGHT W/O GATES*
									lbs.	lbs.
3"	20"	29 5/8"	10 1/2"	12 13/16"	7 1/2"	18 7/8"	12 3/8"	3 3/4"	227	80
4"	16 1/2"	25 1/8"	10 1/2"	15 13/16"	9"	22 3/4"	14 3/4"	4 1/2"	308	95
6"	22 1/2"	35 1/8"	12 1/2"	18 5/16"	11"	30 1/8"	19"	5 1/2"	482	161
8"	22 1/2"	39 1/8"	12 1/2"	21 5/16"	13 1/2"	37 3/4"	22 1/2"	6 3/4"	731	210

* Includes Elbows

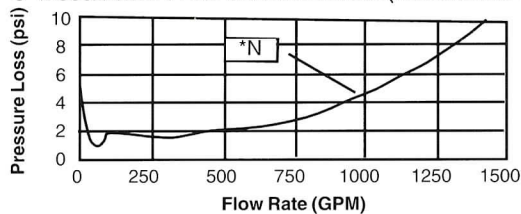
3" DOCUMENTED FLOW CHARACTERISTICS (INCLUDING SHUT-OFF VALVES)



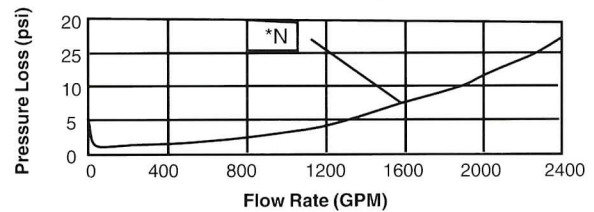
4" DOCUMENTED FLOW CHARACTERISTICS (INCLUDING SHUT-OFF VALVES)



6" DOCUMENTED FLOW CHARACTERISTICS (INCLUDING SHUT-OFF VALVES)



8" DOCUMENTED FLOW CHARACTERISTICS (INCLUDING SHUT-OFF VALVES)



* Approximate head loss at the UL rated flow.

Above graphs are for "N" pattern configurations.

Contact Ames Company for "V" and "H" pattern configuration information.

AMES
CO.

FLUID CONTROL SYSTEMS

PHYSICAL CHARACTERISTICS

Sizes: 3", 4", 6" and 8"

Rated working pressure: 175 psi

Temperature range: 32°F to 140°F

Flange dimension in accordance with AWWA Class D

All internal metal parts: 300 series stainless steel

Construction: 300 series stainless steel