

INSTALLATION, OPERATION, & MAINTENANCE **MANUAL**

BFMM RP4AN LBF 6-2012



2-1/2" - 12"

**Reduced Pressure Principle Backflow Preventer
Reduced Pressure Detector Assembly**

Model RP4AN / RPLF4AN
Model RPDA4AN / RPDALF4AN
Model RPDA24AN / RPDA2LF4AN



TABLE OF CONTENTS

Reduced Pressure Principle Backflow Preventer RP4AN / RPLF4AN

Section	Page
I Description and Operation	3
II Installation	3
III Trouble Shooting Guide	4
IV Maintenance Instructions (RP/RPDA mainline)	5
2-1/2" - 6"	5-7
8" - 12"	7-11
V Testing Procedures	12-13

Reduced Pressure Detector Assembly RPDA4AN / RPDALF4AN & RPDA24AN / RPDA2LF4AN

Section	Page
VI Description and Operation	14
VII Installation	14
VIII Maintenance Instructions - Bypass Single Check (Type 2)	23
IX Maintenance Instructions - Bypass RP (Type 1)	36-37

Parts Lists

2-1/2" - 6" RP & RPDA (Mainline)	16-17
8" - 12" RP & RPDA (Mainline)	19-20
2-1/2" - 12" RPDA2 (Type 2) Bypass Single Check	22
2-1/2" - 12" RPDA (Type 1) Bypass RP	34-35

Repair Kits

2-1/2" - 6" Check Valves	18
2-1/2" - 6" Relief Valves	18
8" - 12" Check Valves	21
8" - 12" Relief Valves	21
Bypass Single Check (RPDA Type 2)	22
Bypass RP (RPDA Type 1)	35
Bypass Line Kits	24-33
Shut-off Valves	37-39

REDUCED PRESSURE PRINCIPLE BACKFLOW PREVENTER (RP)

I. DESCRIPTION AND OPERATION

The Reduced Pressure Principle (RP) device consists of two independently-acting, spring-loaded check valves, together with a hydraulically dependent, mechanically independent pressure differential relief valve, located in the zone between the check valves. Two resilient seated shut-off valves and four test cocks complete the assembly.

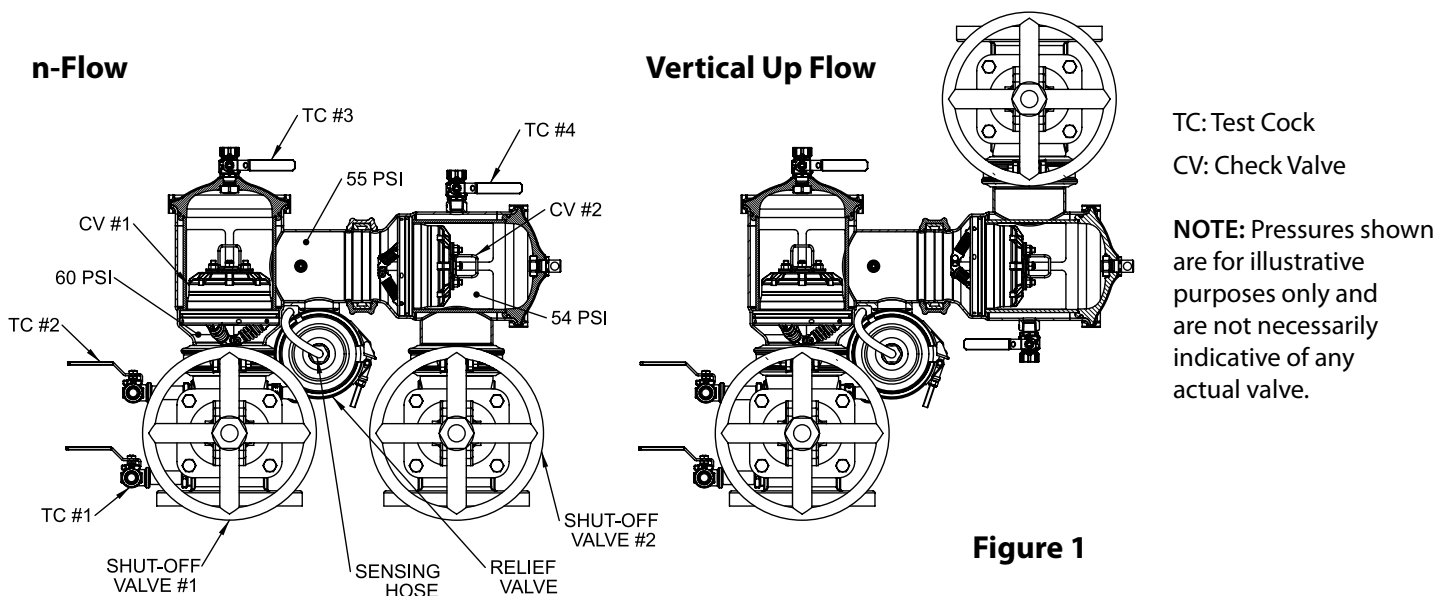
The first check is designed to maintain a minimum of 5 psi across the check valve. The second check is designed to maintain a minimum of 1 psi across the check valve during normal operation. The relief valve operates on a differential pressure. Supply pressure on the upstream side of the first check valve acts against the diaphragm to close the relief valve during normal operation. In the event of backflow, the relief valve will open to maintain the pressure in the "zone" at least 2 psi less than the inlet pressure.

II. INSTALLATION

- A. The RP must be installed in an accessible location to facilitate periodic field testing and maintenance.
- B. The location selected should have adequate drainage for relief valve discharge. The device should never be placed where it may be submerged in standing water.
- C. Flush all upstream piping thoroughly to remove foreign matter prior to installing the device.
- D. The device may be installed in the n-flow or vertical up flow positions as shown below. A clearance between the lower most portion of the device and flood grade or floor should be provided for ease of maintenance.
- E. If shut-off valves are provided separately, they must include tapped bosses for attachment of the sensing hose, the #1 test cock, and the #2 test cock. Contact the factory for installation instructions.
- F. After installing the assembly and with downstream or #2 shut-off valve closed, pressurize the device and bleed air through test cock #4. Then open #2 shut-off valve.

OTHER INSTALLATION TIPS

- The installation location should have adequate drainage for relief valve discharge. The device should never be placed where it may be submerged in standing water. Do not install in areas subject to freezing without using a properly designed enclosure.
- As in any piping system, provisions should be made to minimize water hammer and pressure rise due to thermal expansion, as these conditions can create damaging and dangerously high internal pressures.
- A "Y" strainer can be installed just upstream of the RP assembly to eliminate any debris from entering the device and fouling the check and/or relief valve. *NOTE: Strainers are normally not allowed on fire protection systems. Check with local authorities.*



III. TROUBLE SHOOTING

SYMPTOM	CAUSE	CORRECTIVE ACTION
1. Relief valve continuously discharges during no-flow condition.	<ul style="list-style-type: none"> a. #1 check valve fouled with debris. b. #2 check valve fouled with debris coupled with a backpressure condition. c. #1 check poppet stem not moving freely in guide (or #2 check poppet during a backpressure condition). 	<ul style="list-style-type: none"> a. Inspect and clean seat disc and seat b. Inspect and clean seat disc and seat. c. Inspect for debris or deposit on poppet stem or guide.
2. Relief valve discharges continuously during flow and no-flow conditions.	<ul style="list-style-type: none"> a. Relief valve fouled with debris. b. Damaged diaphragm (allows water to pass through from inlet to zone). c. Sensing passage to inlet side of diaphragm plugged. d. #1 check poppet stem not moving freely in poppet guide. e. 1st and 2nd check springs are in wrong check. 	<ul style="list-style-type: none"> a. Inspect and clean relief valve seat disc and seat. b. Replace diaphragm. c. Inspect and clean passage in cover and body. d. Inspect for debris or deposits on poppet stem or guide. e. Switch springs to proper check location.
3. Relief valve discharges intermittently in a "spitting" action during no-flow condition.	<ul style="list-style-type: none"> a. Pressure fluctuations or water hammer. 	<ul style="list-style-type: none"> a. Eliminate or reduce pressure fluctuations.
4. Relief valve does not open during test No. 1.	<ul style="list-style-type: none"> a. #2 shut-off valve not closed completely. b. Test equipment improperly installed. c. Plugged sensing line. 	<ul style="list-style-type: none"> a. Close #2 shut-off valve or inspect for possible through leakage. b. Recheck test procedure. c. Clean sensing line.
5. #2 check valve fails to hold backpressure.	<ul style="list-style-type: none"> a. #2 shut-off valve not closed completely. b. #2 check valve fouled with debris. c. #2 check poppet stem not moving freely in guide. 	<ul style="list-style-type: none"> a. Close #2 shut-off valve or inspect for possible through leakage. b. Inspect and clean seat disc and seat. c. Inspect for debris or deposits on poppet stem or guide.
6. Pressure differential across #1 check valve is low during field test No. 3 (does not meet 5 PSID minimum).	<ul style="list-style-type: none"> a. #1 check valve fouled with debris. b. Upstream pressure fluctuations causing inaccurate gauge reading. c. #1 check poppet stem not moving freely in guide. 	<ul style="list-style-type: none"> a. Inspect and clean seat disc and seat. b. Eliminate pressure fluctuations. c. Inspect for debris or deposits on poppet stem or guide.

IV. MAINTENANCE INSTRUCTIONS

2-1/2" - 6" Sizes

Open test cocks #2, #3, and #4 to relieve pressure from the device. Both shut-off valves must be closed.

A. Check Removal

Note: If either check disc needs only to be cleaned, it is not necessary to remove the entire check module from the valve body. See the next section, "Check Maintenance", for seat disc cleaning instructions.

1. Remove the cover clamp by backing off the nut until the latch can be disengaged from the T-bolt. Pull the clamp apart and slide away from the valve. (See Figure 2)
2. Lift off the cover. A screwdriver will aid in lifting the 2nd check cover out of the body. (See Figure 2)
3. Remove the check-retaining spacer from the body. Pull check module straight out of body. The check module is sealed in place with an o-ring. (See Figure 3)

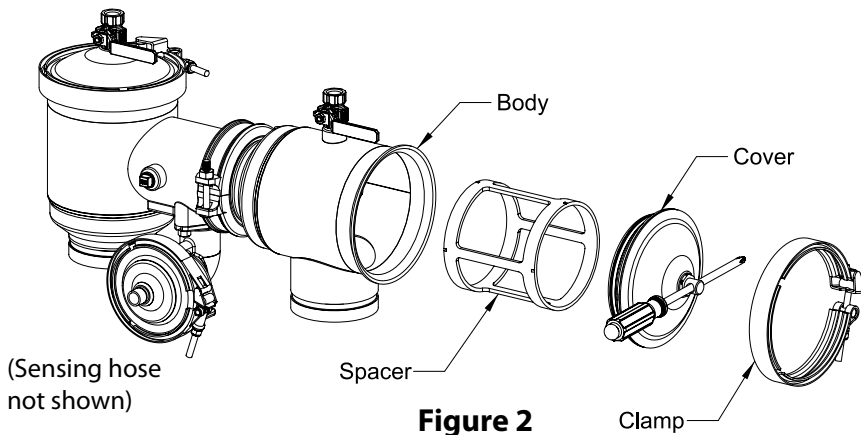


Figure 2

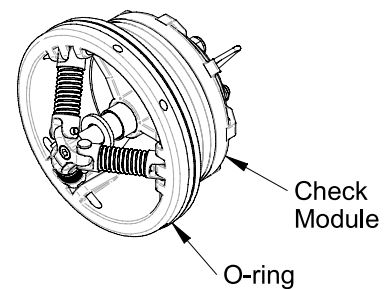


Figure 3

B. Check Maintenance

If only cleaning of either check is necessary, simply remove the three (3) reusable locknuts for 2-1/2" & 3" valves/ four (4) locknuts for 4" & 6" valves on the black plastic disc retainer (See Figure 4). *SUGGESTION:* Place a rag over the relief valve opening inside the valve body to prevent the locknuts from falling into the relief valve. Remove the check handle and washer and lift the disc retainer and disc out of the body. Rinse the disc with clean water or replace if necessary. The disc may be flipped over for a temporary repair, but should be replaced if damaged. Replace the disc, disc retainer, washer, handle, and nuts. **Do not over tighten locknuts.**

NOTE: The springs are factory installed and should not be removed or adjusted. Serious injury could occur if springs are disassembled.

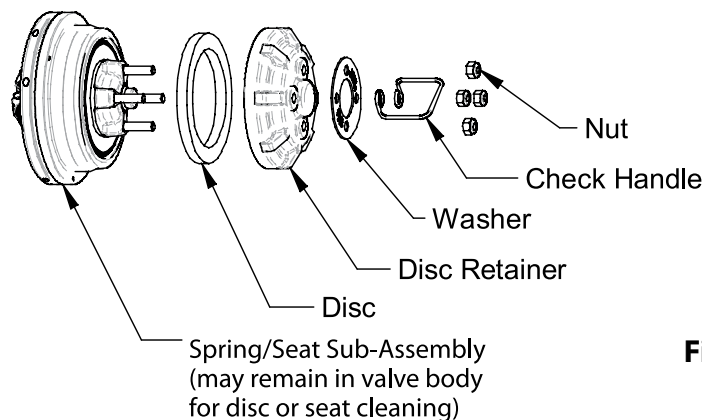


Figure 4

Second check cover reassembly tip: Snap spacer into cover, then install cover/spacer into body (See Figure 5).

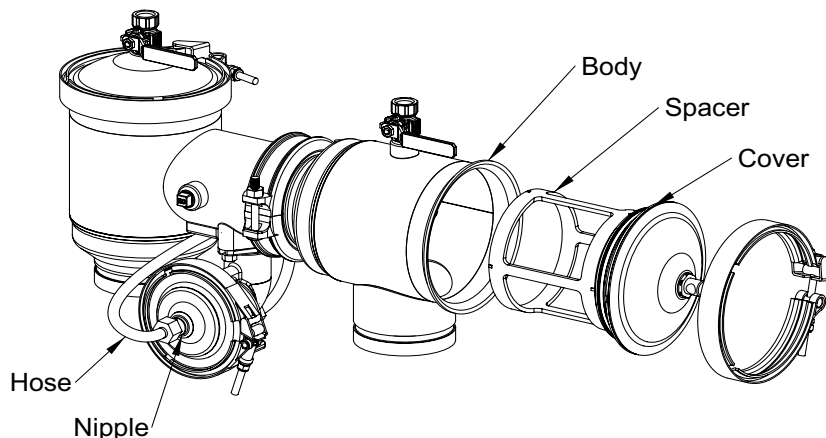


Figure 5

C. Relief Valve Maintenance

1. Unscrew the sensing hose from the nipple (sensing hose is not shown). (See Figure 6)
2. The RV can be serviced while still attached to the valve or it can be removed (rarely needed).
3. Remove the clamp by backing off the nut until the latch can be disengaged from the T-bolt. Pull the clamp apart and slide away from the RV.
4. Remove the RV cover.
5. Remove the RV module by grasping the diaphragm plate and pulling straight out.
6. Inspect the RV seat disc for debris or damage. To clean or replace the RV seat disc, remove the 5/16" screw on the seat disc washer. The RV disc may be flipped over for a temporary repair, but should be replaced if damaged. Replace the seat disc, seat disc washer, and 5/16" screw.
7. Lubricate the bushing o-ring with Apollo supplied lubricant, Dow 111 or equal, and insert the RV module into the valve body. The RV diaphragm has a rubber bead that fits into a groove in the RV body. Ensure the diaphragm bead is seated properly in the RV body before installing the RV cover.

If it is necessary to disassemble the RV module and/or remove the RV seat:

1. Remove the RV module as described above.
2. Remove the 5/16" screw on the diaphragm plate. Use caution as this will disengage the spring.
3. Remove the 5/16" screw on the seat disc washer.
4. Inspect all components for damage, paying particular attention to the diaphragm, seat disc, o-rings, and stem. If any of these components are worn or damaged, they should be replaced.
5. Lubricate the stem, stem o-ring, and RV seat o-ring with Apollo supplied lubricant, Dow 111 or equal.
6. Reassemble RV module.
7. Remove the RV seat by grasping the cage and pulling straight out. A flat screwdriver may aid in removal.
8. Inspect the seat and seat o-ring for damage. If damaged, they should be replaced.
9. Insert the seat into the RV body. Ensure that it is fully seated.
10. Lubricate the bushing o-ring with Apollo supplied lubricant, Dow 111 or equal and insert the assembled RV module into the valve body. Ensure the diaphragm bead is seated properly before installing the RV cover.
11. Replace the cover and clamp.
12. Inspect the sensing hose and replace if damaged.
13. Reinstall the sensing hose to the nipple.

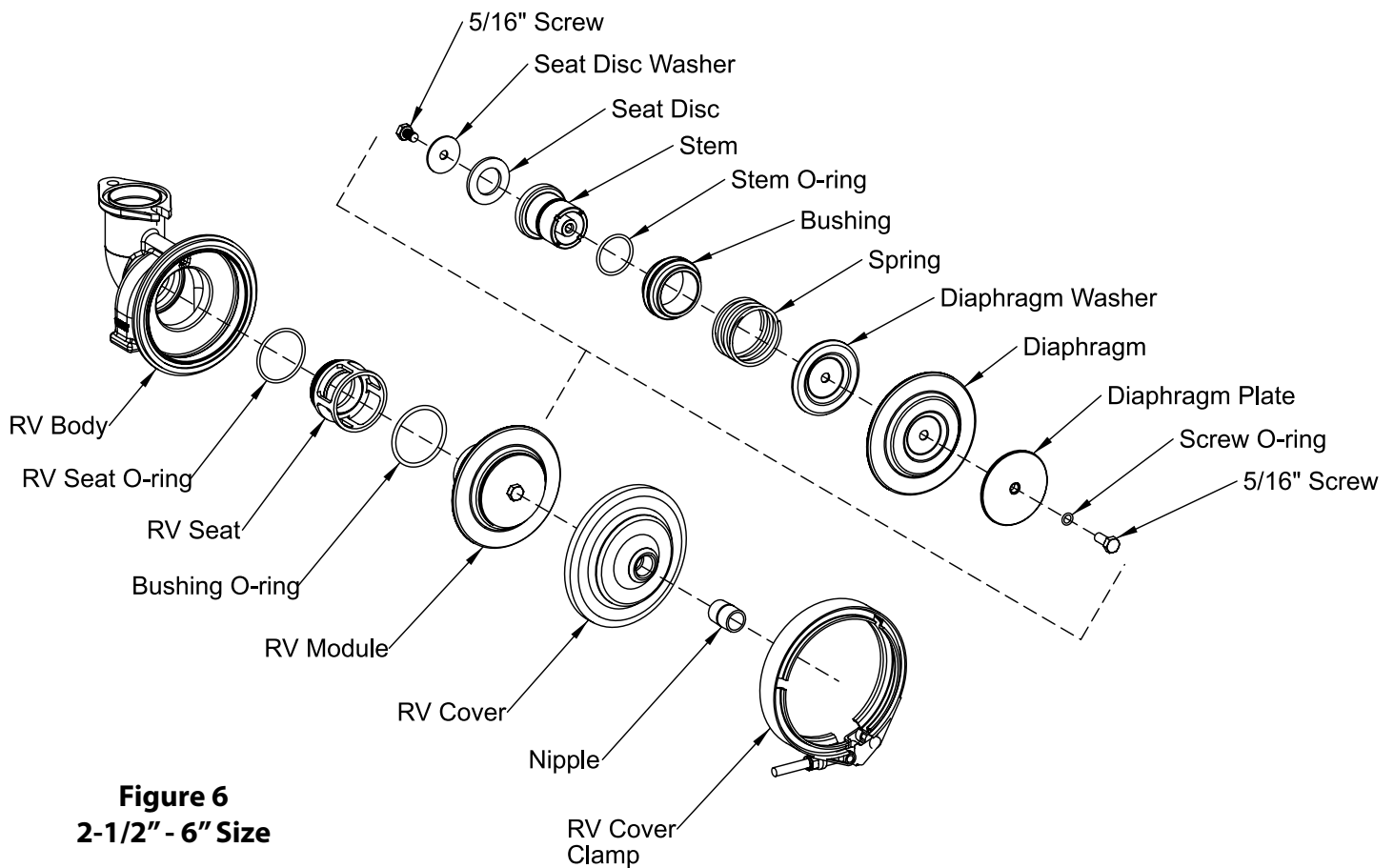


Figure 6
2-1/2" - 6" Size

8" - 12" Sizes

Open test cocks #2, #3, and #4 to relieve pressure from the device. Both shut-off valves must be closed.

A. Check Removal

NOTE: *If either check disc needs only to be cleaned, it is not necessary to remove the entire check module from the valve body. See the next section, "Check Maintenance", for disc cleaning instructions.*

1. Take off the cover coupling by removing the two bolts and nuts. The gasket may remain on the valve body.
2. Lift off the cover. (See Figure 7)
3. Remove the six (6) reusable locknuts for 8" valves/ eight (8) nuts for 10" & 12" valves with a 3/4" socket and ratchet.
4. Slide the entire check module off the body studs and remove from body (See Figure 8).

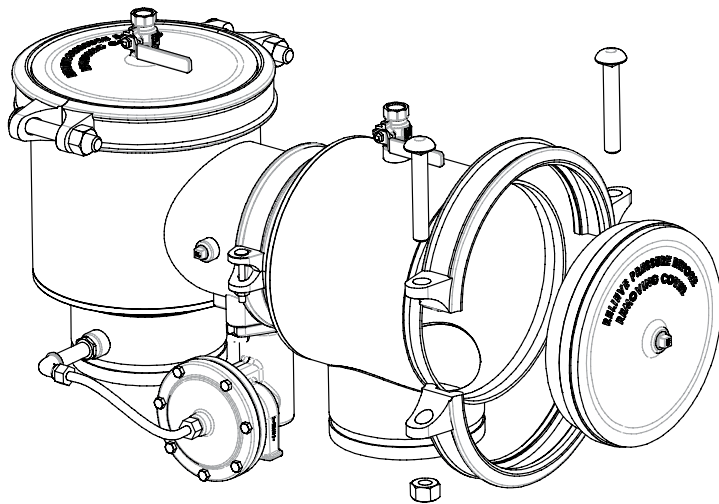


Figure 7

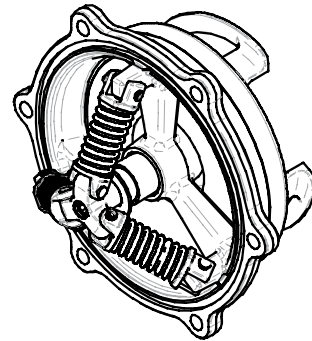


Figure 8

B. Check Maintenance (Can be achieved without removing entire check.)

If only cleaning of either check is necessary, simply remove the six (6) nuts for 8" valves / eight (8) nuts for 10" & 12" valves on the black plastic disc retainer (See Figure 9). *SUGGESTION: Place a rag over the relief valve opening inside the valve body to prevent the locknuts from falling into the relief valve.* Remove the check handle and washer and lift the disc retainer and disc out of the body. Rinse the disc with clean water or replace if necessary. The disc may be flipped over for a temporary repair, but should be replaced if damaged. Replace the disc, disc retainer, washer, handle, and nuts. **Do not over tighten locknuts.**

NOTE: The springs are factory installed and should not be removed or adjusted. Serious injury could occur if springs are disassembled.

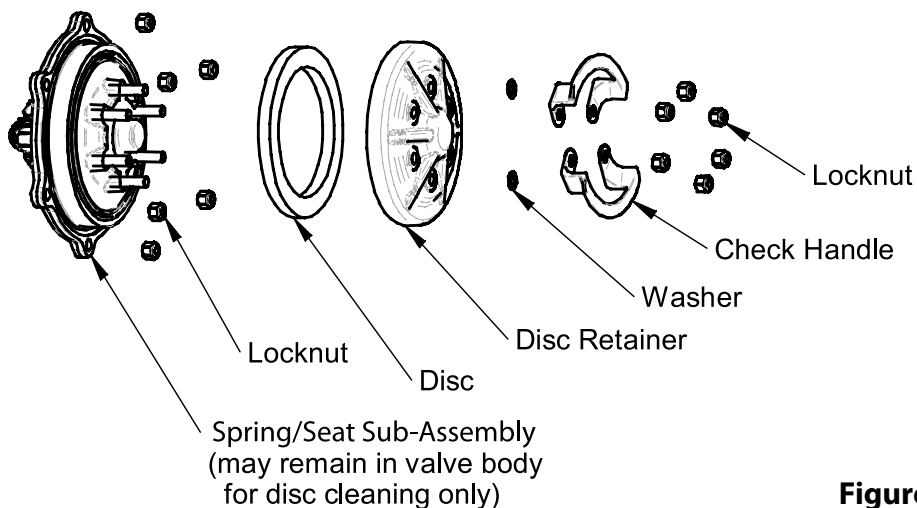


Figure 9
8" - 12" Size

C. Relief Valve Maintenance, 8"

NOTE: See Figure 10.

1. Unscrew the sensing hose from the relief valve (RV) cover nipple (sensing hose is not shown).
2. The RV can be serviced while still attached to the valve or it can be removed (rarely needed). To remove the RV, unscrew the two 5/8" bolts securing the RV to the valve body.
3. Remove the RV cover by removing the eight (8) 3/8" bolts.
4. Remove the diaphragm.
5. Remove the RV cartridge by grasping the diaphragm plate and pulling straight out. A bushing o-ring may remain in the body. Ensure this o-ring is not damaged.
6. Inspect the RV seat disc for debris or damage. To clean or replace the RV seat disc, remove the 1/4" screw on the seat disc washer. The RV disc may be flipped over for a temporary repair, but should be replaced if damaged. Replace the seat disc, seat disc washer, and 1/4" screw.
7. Lubricate the bushing o-ring with Apollo supplied lubricant, Dow 111 or equal, and insert the RV module into the valve body.
8. Insert the RV module into the valve body.
9. Replace diaphragm, cover, and bolts.
10. Inspect sensing hose and replace if damaged.
11. Reinstall sensing hose to RV cover nipple.

If it is necessary to disassemble the RV module and/or remove the RV seat:

1. Remove the RV module as described above.
2. Remove the 1/4" screw on the diaphragm plate. Use caution as this will disengage the spring.
3. Remove the 1/4" screw on the seat disc washer.
4. Inspect all components for damage, paying particular attention to the diaphragm, seat disc, o-rings, and stem. If any of these components are worn or damaged, they should be replaced.
5. Lubricate the stem, stem o-ring, and RV seat o-ring with Apollo supplied lubricant, Dow 111 or equal. Reassemble RV cartridge.
6. Remove the RV seat by grasping the cage and pulling straight out. A flat screwdriver may aid in removal.
7. Inspect the seat and seat o-ring for damage. If damaged, they should be replaced.
8. Insert the seat into the RV body. Ensure that it is fully seated.
9. Ensure the bushing o-ring is positioned in the RV body, then insert the assembled RV cartridge into the valve body.
10. Replace diaphragm, cover, and bolts.
11. Inspect the sensing hose and replace if damaged.
12. Reinstall the sensing hose to RV cover nipple.

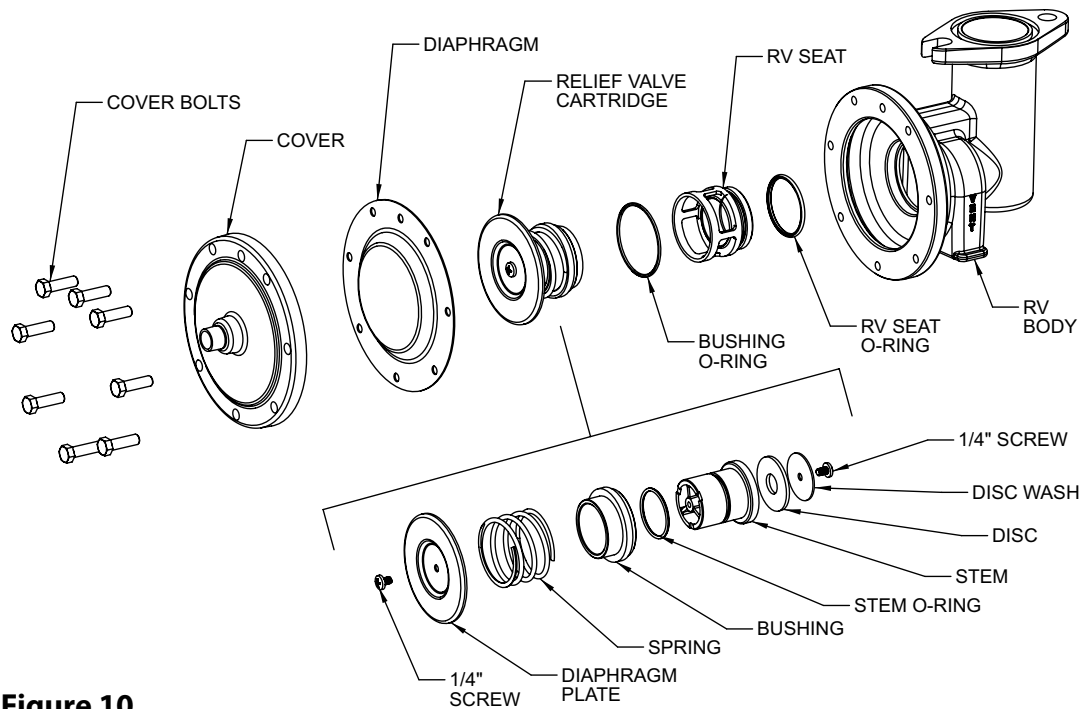


Figure 10

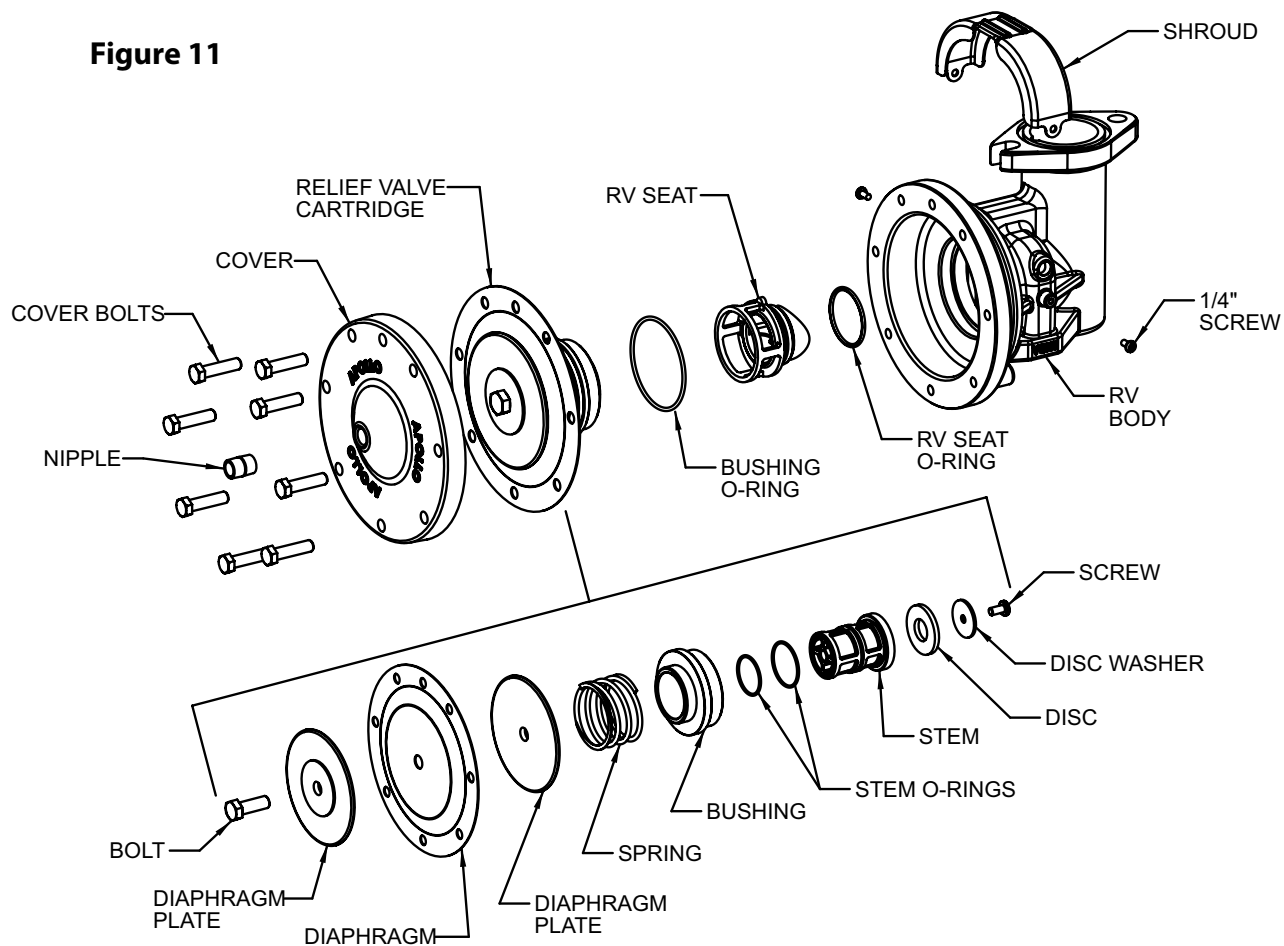


Figure 11

D. Relief Valve Maintenance, 10-12"

NOTE: See Figure 11.

1. Unscrew the sensing hose from the relief valve (RV) cover nipple (sensing hose is not shown).
2. The RV can be serviced while still attached to the valve or it can be removed (rarely needed). To remove the RV, unscrew the two 3/4" bolts securing the RV to the valve body. *NOTE:* When removing the RV from the valve body, take care not to damage flow divider (See Figure 10). The shroud does not need to be removed to service the RV.
3. Remove the RV cover by removing the eight (8) 1/2" bolts.
4. Remove the RV cartridge by grasping the diaphragm plate and pulling straight out. A bushing o-ring may remain in the body. Ensure this o-ring is not damaged.
5. Inspect the RV seat disc for debris or damage. To clean or replace the RV seat disc, remove the 3/8" screw on the seat disc washer. The RV disc may be flipped over for a temporary repair, but should be replaced if damaged. Replace the seat disc, seat disc washer, and 3/8" screw.
6. Insert the RV module into the valve body.
7. Replace cover and bolts.
8. Inspect sensing hose and replace if damaged.
9. Reinstall sensing hose to RV cover nipple.

If it is necessary to disassemble the RV module and/or remove the RV seat:

1. Remove the RV module as described above.
2. Remove the 5/8" screw on the diaphragm plate. Use caution as this will disengage the spring.
3. Remove the 3/8" screw on the seat disc washer.
4. Inspect all components for damage, paying particular attention to the diaphragm, seat disc, o-rings, and stem. If any of these components are worn or damaged, they should be replaced.
5. Lubricate the stem, stem o-ring, and RV seat o-ring with Apollo supplied lubricant, DOW 111 or equal. Reassemble RV cartridge.
6. Remove the RV seat by grasping the cage and pulling straight out. A flat screwdriver may be necessary to aid in removal.
7. Inspect the seat and seat o-ring for damage. If damaged, they should be replaced.
8. Insert the seat into the RV body. Ensure that it is fully seated and that the seat's tab aligns with the notch in the RV body.
9. Ensure the bushing o-ring is positioned in the RV body, then insert the assembled RV cartridge into the valve body.
10. Replace cover and bolts.
11. Inspect sensing hose and replace if damaged.
12. Reinstall sensing hose to RV cover nipple.

V. TESTING PROCEDURES

NOTE: *This 3 valve test kit procedure may not be approved in all jurisdictions. Consult your local water purveyor for acceptable test procedures. See Figure 11 for test schematic.*

TEST NO. 1

PURPOSE:

To test operation of the pressure differential relief valve.

REQUIREMENT:

The pressure differential relief valve must operate to maintain the zone between the two check valves at a minimum of 2 psi less than the supply pressure.

PROCEDURE:

1. Open test cock (TC) #4 to establish flow through the RP. Flush TCs in the following order taking care not to dump the relief valve. Open and close TC #1. **SLOWLY** open and close TC #2. Open and close TC #3. Close test cock #4. Install appropriate adapters in TCs.
2. Connect the high (left) hose to TC #2. Connect the low (middle) hose to TC #3. Fully open the bypass (right) valve.
3. Slowly open TC #2. Bleed the high side through the bypass hose by opening the high valve. Close the high valve.
4. Slowly open TC #3. Bleed the low side through the bypass hose by opening the low valve. After the pointer on the gage reaches the upper end of the scale, close the bypass and low valves.
5. Close the No. 2 shutoff valve and observe the pressure drop across check valve No. 1. If the pressure drops until the relief valve discharges continuously, check valve No. 1 is leaking and must be cleaned or repaired before continuing.
6. Open the high valve.
7. Open the low valve no more than one-quarter (1/4) turn.
8. Watch the pointer on the gage drop slowly to the opening point of the relief valve and record the reading. If the relief valve does not open, go to step 10.
9. Close the high and low valves on the gage and go to test No. 2.
10. The No. 2 shutoff valve may be leaking. Reopen and close No. 2 shutoff valve to attempt a better shutoff. Repeat steps 6 through 8. If the relief valve does not open, a bypass hose is required (not to be confused with the bypass hose on the gage). Large leaks may require a garden hose.
11. Attach the bypass hose to TC #1. Bleed hose by opening TC #1. Close TC #1.
12. Connect the bypass hose from TC #1 to TC #4.
13. Open TC #1 to pressurize the hose.
14. Slowly open TC #4. Repeat steps 6 through 8. If the relief valve still does not open, the leaky No. 2 shutoff valve must be repaired.

TEST NO. 2

PURPOSE:

Is check valve No. 2 tight against back pressure?

NO BYPASS HOSE USED IN TEST 1

1. Bleed gage bypass hose by opening the high and bypass valves. Close the bypass valve.
2. Attach the bypass hose to TC #4. Open TC #4.
3. Loosen the low side hose at TC #3 to re-establish the normal reduced pressure within the "zone". Re-tighten the low hose at TC #3.
4. Open the bypass valve. If the differential pressure stabilizes above the relief valve opening point, check valve No. 2 is recorded as "tight". Proceed to test No. 3. If the reading falls to the relief valve opening point, check valve No. 2 is noted as "leaking" and test No. 3 cannot be completed.

BYPASS HOSE USED IN TEST 1

1. Leave the bypass hose connected between TCs #1 and #4. Leave TCs #1 and #4 open.
2. Open the low and bypass valves allowing the pointer to reach the upper part of the scale.
3. Close the low and bypass valves.
4. If the differential pressure stabilizes above the relief valve opening point, check valve No. 2 is recorded as “tight” (proceed to test No. 3). If the reading falls to the relief valve opening point, check valve No. 2 is recorded as “leaking” and test No. 3 cannot be completed.

TEST NO. 3

PURPOSE:

Is the static pressure drop across check valve No. 1 maintained at least 3 psi above the relief valve opening point?

NO BYPASS HOSE USED IN TESTS 1 AND 2

1. Close the high and bypass valves. Close TC #4 and disconnect gage bypass hose.
2. Open the low and bypass valves allowing the pointer to reach the upper end of the scale. Close the low and bypass valves.
3. Allow the gage reading to stabilize. Record this reading as the static pressure drop across check valve No. 1.

BYPASS HOSE USED IN TESTS 1 AND 2

1. Open the low and bypass valves allowing the pointer to reach the upper end of the scale. Close the low and bypass valves.
2. Allow the gage reading to stabilize. Record this reading as the static pressure drop across check valve No. 1.

TESTING PROCEDURE FOR SINGLE CHECK ON RPDA TYPE 2 BYPASS:

NOTE: The first check of the mainline valve is also the first check of the bypass assembly and the test results for the first mainline check should be recorded as the first check of the bypass assembly. If the local water authority requires a second test for the first check, perform the test again and record the results. The second check is the single check on the bypass line. (See page 14 for test cock locations.)

1. Flush water through the bypass line test cocks to eliminate foreign material.
2. To test the bypass single check, connect the “high” side hose to the first test cock on the bypass line (upstream of single check valve). Hold the “low” side hose level with the gage.
3. Close the inlet shut-off valve on the mainline and bypass line. The single check valve must hold at least 1.0 psid.

WRAP UP: CLOSE ALL TEST COCKS. OPEN NO. 2 SHUT-OFF VALVE. DRAIN GAGE.

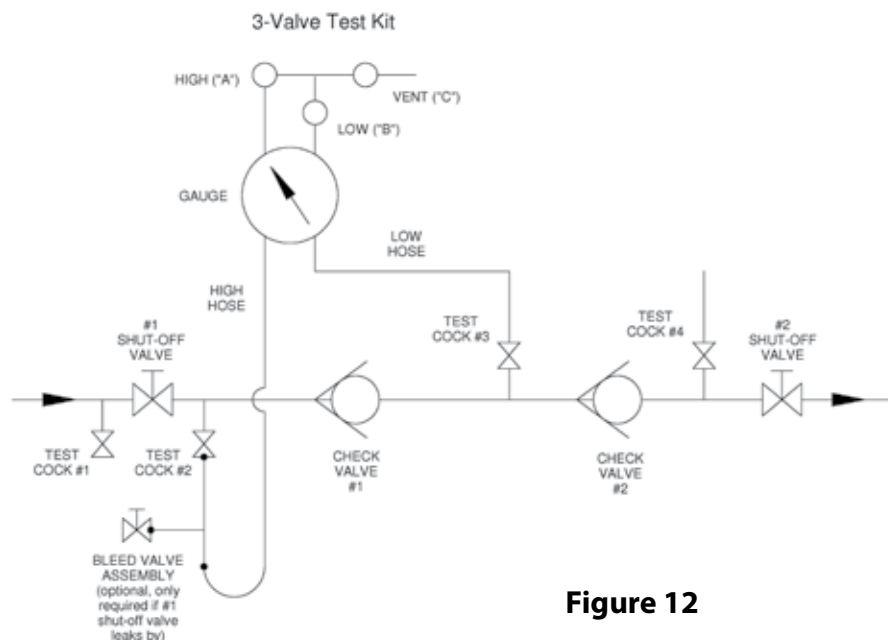


Figure 12

REDUCED PRESSURE DETECTOR ASSEMBLY (RPDA)

VI. DESCRIPTION AND OPERATION

The Reduced Pressure Detector Assembly (RPDA Type 1) contains a mainline RP incorporating two independently acting, spring-loaded check valves with a diaphragm-actuated spring-loaded relief valve located between the checks and a bypass line consisting of an approved RP assembly and a water meter. The RPDA Type 2 contains a mainline RP and a bypass line consisting of a single check valve and a water meter (A Type 2 bypass utilizes the first check of the mainline as the first check of the bypass and the single check on the bypass as the second check). Each device is equipped with test cocks for periodic field testing and is normally supplied with inlet and outlet shut-off valves. *NOTE: UL and FM installations must include indicating type shut-off valves.*

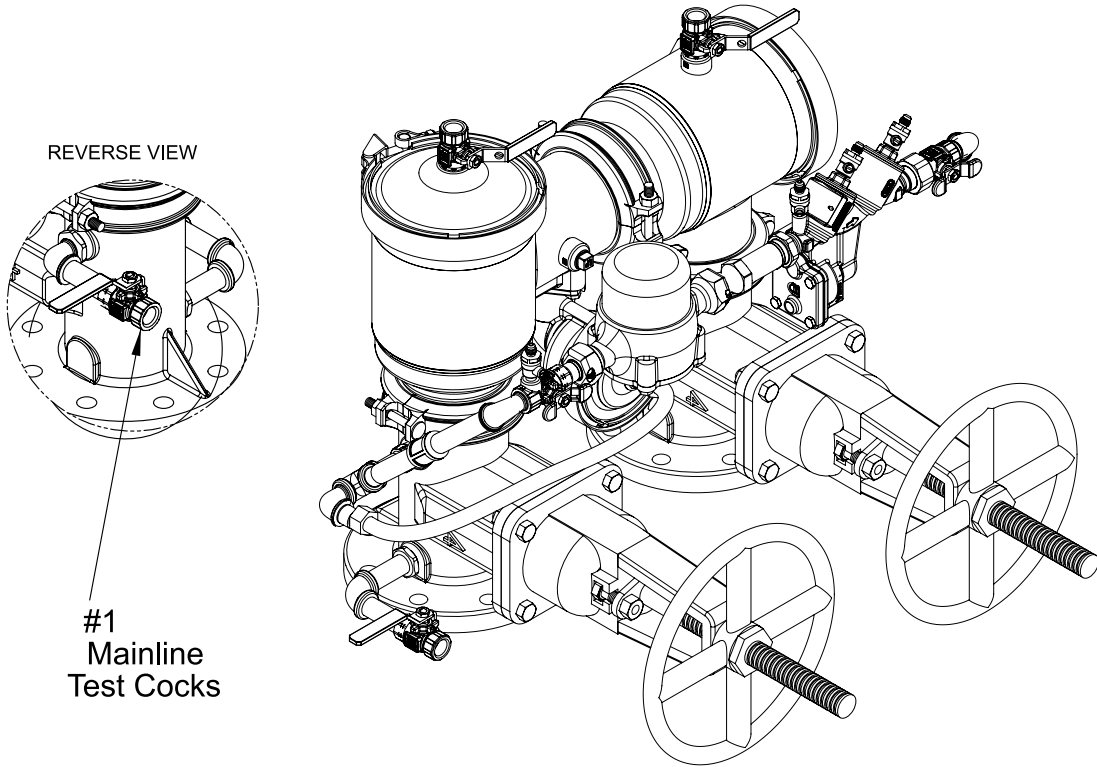
During no flow conditions, the mainline and bypass check valves will remain closed. If there is a low flow demand (up to a minimum of 2 gpm) of water downstream, the flow is routed through the water meter to monitor such consumption. If the downstream pressure increases above the supply pressure or there is a reduction in the inlet pressure, the mainline and bypass check valves will close to prevent backflow.

VII. INSTALLATION

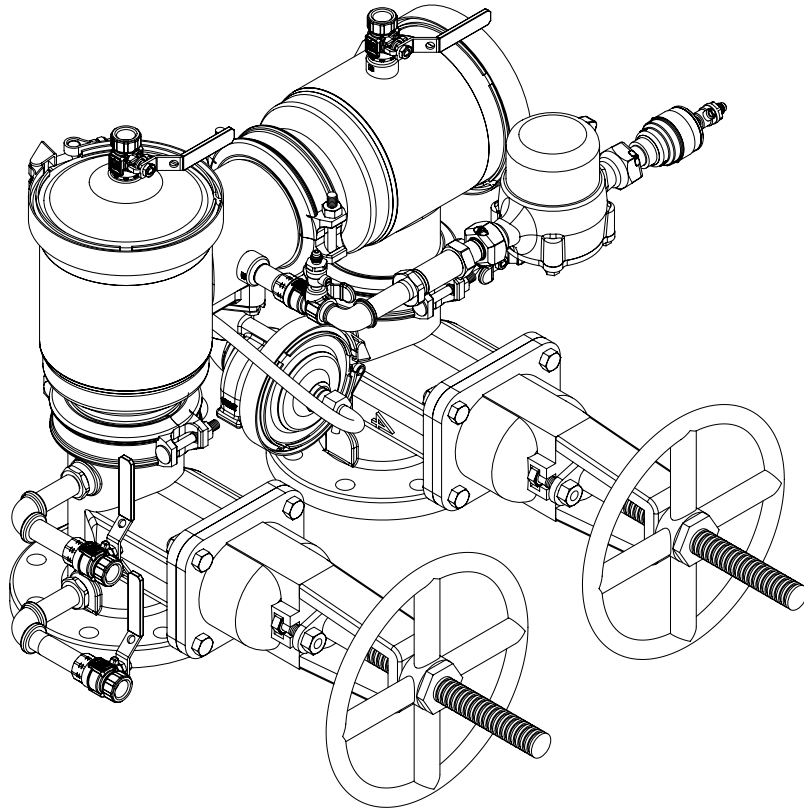
- A. The RPDA must be installed in an accessible location to facilitate periodic field testing and maintenance.
- B. Flush all upstream piping thoroughly to remove foreign matter prior to installing the device.
- C. The device may be installed in the n-flow or vertical up flow positions as shown on Page 3. A clearance of 12" to 30" between the lower most portion of the device and flood grade or floor should be provided for ease of maintenance.
- D. If shut-off valves are provided separately, they must include tapped bosses for attachment of the sensing hose, bypass piping, the #1 test cock, and the #2 test cock. Contact the factory for installation instructions.
- E. After installing the assembly and with downstream (#2) shut-off valve closed, pressurize the device and bleed air through test cock #4. Then open #2 shut-off valve.

OTHER INSTALLATION TIPS

- The installation location should have adequate drainage for relief valve discharge. The device should never be placed where it may be submerged in standing water. Do not install in areas subject to freezing without using a proper enclosure.
- As in any piping system, provisions should be made to minimize water hammer and pressure rise due to thermal expansion, as these conditions can create damaging and dangerously high internal pressures.
- A "Y" strainer can be installed just upstream of the RP assembly to eliminate any debris from entering the device and fouling the check and/or relief valve. *NOTE: Strainers are normally not allowed on fire protection systems. Check with local authorities.*



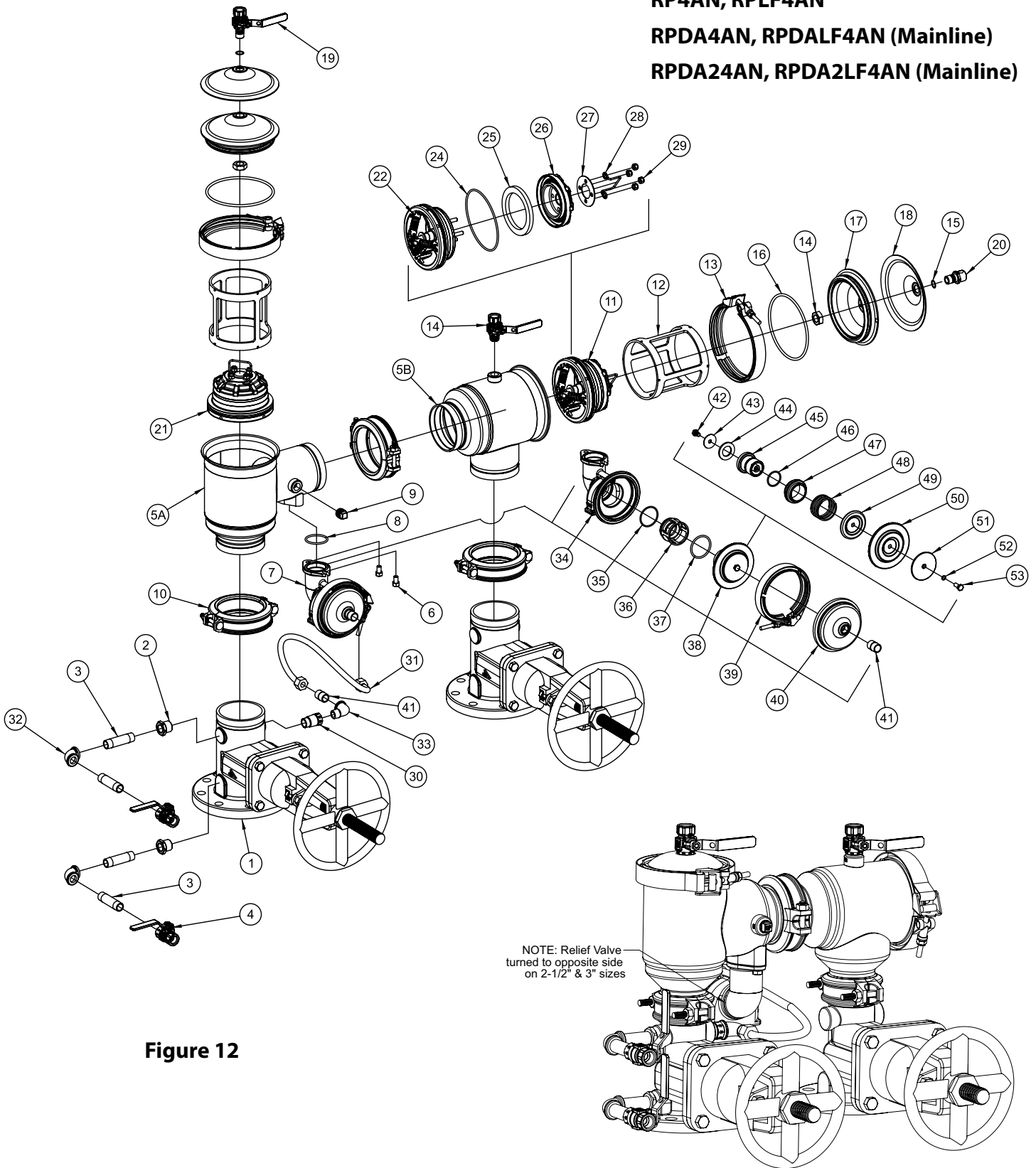
RPDA4AN Type 1
RPDALF4AN Type 1



RPDA24AN Type 2
RPDA2LF4AN Type 2

PARTS LIST 2-1/2" - 6"

RP4AN, RPLF4AN
RPDA4AN, RPDALF4AN (Mainline)
RPDA24AN, RPDA2LF4AN (Mainline)



**RP4AN / RPDA4AN (Mainline) / RPDA24AN (Mainline) Parts List
RPL4AN / RPDALF4AN (Mainline) / RPDA2LF4AN (Mainline) Parts List**

Item #	Description	Qty.	Part Number			
			2-1/2"	3"	4"	6"
1	Shut-off Valve	2	See Pages 26 & 27			
2	Reducer Bushing	2	K-4605-00			N/A
3	Nipple	4	K-3406-00			K-3412-00
4	Test Cock, FxF	2	77CLF-103-10			77CLF-104-10
5A	First Check Body	1	Consult Factory			
5B	Second Check Body	1	Consult Factory			
6	Screw, 3/8-16 x .63	2	B-1921-00			
7	Relief Valve Sub-Assy	1	W-9664-05			
8	O-ring, RV Port	1	D-4866-00			
9	Plug, 1/2" NPT	2	K-4594-05			
10	Coupling	3	W-5237-00	W-5238-00	W-5239-00	W-5240-00
11	Second Check Module	1	W-9856-05		W-9668-05	W-9669-05
12	Check Retaining Spacer	2	G-4832-00		G-4804-00	G-4805-00
13	Cover Clamp	2	W-9293-00		W-9183-00	W-9221-00
14	Retaining Nut	2	C-2635-00			C-1756-00
15	O-ring, Test Cock/Cover Plug	2	D-4892-00			D-3904-00
16	O-ring, Cover	2	D-4976-00		D-4870-00	D-5001-00
17	Cover, Inner	2	F-3900-00		F-3864-00	F-3865-00
18	Cover, Outer	2	E-2903-00		E-2865-00	E-2866-00
19	Test Cock, Cover	2	77CLF-803-A0			77CLF-804-A0
20	Second Check Cover Plug	1	L-8462-06			L-8463-06
21	RP First Check Module	1	W-9855-05		W-9666-05	W-9670-05
22	RP Second Chk Seat/Spring Sub-Assy	1	W-9715-05		W-9717-05	W-9719-05
23	RP First Chk Seat/Spring Sub-Assy (not shown)	1	W-9716-05		W-9718-05	W-9720-05
24	Check Seat O-ring	2	D-5171-00		D-4869-00	D-5000-00
25	Disc	2	D-4958-00		D-4862-00	D-4890-00
26	Disc Retainer	2	L-7800-00		F-3862-00	F-3863-00
27	Washer	(QTY)	E-2905-00 (2)		E-2920-00 (2)	E-2878-00 (4)
28	Handle	2	H-3814-00		H-3792-00	H-3793-00
29	Locknut	(QTY)	C-1900-00 (6)		C-2052-00 (8)	C-2053-00 (8)
30	Adapter w/ Extension	1	K-4618-06			
31	Sensing Hose	1	W-9898-00			
32	Elbow, 90°	2	K-4598-00			K-4599-00
33	Elbow, Street	1	K-4600-00			K-4646-00
34	RV Body	1	Q-6945-05			
35	Seat O-ring	1	D-4867-00			
36	Seat Cage	1	L-7995-00			
37	Bushing O-ring	1	D-4883-00			
38	RV Module	1	W-9677-05			
39	RV Clamp	1	W-9182-00			
40	RV Cover	1	Q-6965-05			
41	Nipple	2	K-3460-00			
42	Screw, 5/16-18 x .50	1	B-1715-00			
43	RV Washer	1	E-2863-00			
44	Disc	1	D-4863-00			
45	Stem	1	G-4803-00			
46	Stem O-ring	1	D-4744-00			
47	Bushing	1	I-9271-15			
48	RV Spring	1	A-2500-00			
49	Diaphragm Washer	1	E-2864-00			
50	Diaphragm	1	D-4861-00			
51	Diaphragm Plate	1	E-2867-00			
52	Dia. Plate O-ring	1	D-4865-00			
53	Screw, 5/16-18 x .75	1	B-1751-00			

Individual parts are only available for bulk sales. Please refer to the appropriate repair kits on page 18.

Repair Kits (Mainline) 2-1/2" - 6"

Check Rubber Only Kit (One kit repairs one check)		Size		
		2-1/2" & 3"	4"	6"
	Repair Kit Model Number	RK4A3CMR	RK4A4CMR	RK4A6CMR
Item #	Ordering Number	4A-000-01	4A-00A-01	4A-00C-01
not Shown	Lubricant	I-9016-00		
25	Disc	D-4958-00	D-4862-00	D-4890-00
24	Check O-ring	D-5171-00	D-4869-00	D-5000-00
8	Relief Valve Port O-ring	D-4866-00		
16	Cover O-ring	D-4976-00	D-4870-00	D-5001-00
15	Test Cock O-ring	D-4892-00		D-3904-00

RP First Check Complete Kit (One kit repairs one check)		Size		
		2-1/2" & 3"	4"	6"
	Repair Kit Model Number	RK4A3RPCMC	RK4AN4RPCMC	RK4A6RPCMC
Item #	Ordering Number	4A-000-03	4AN-00A-03	4A-00C-03
not Shown	Lubricant	I-9016-00		
20	1st Check Module S-Assy	W-9855-05	W-9665-05	W-9670-05
24	Check O-ring	D-5171-00	D-4869-00	D-5000-00
16	Cover O-ring	D-4976-00	D-4870-00	D-5001-00

RP Second Check Complete Kit (One kit repairs one check)		Size		
		2-1/2" & 3"	4"	6"
	Repair Kit Model Number	RK4A3CMC	RK4A4CMC	RK4A6CMC
Item #	Ordering Number	4A-000-02	4A-00A-02	4A-00C-02
not Shown	Lubricant	I-9016-00		
11	2nd Check Module S-Assy	W-9856-05	W-9668-05	W-9669-05
24	Check O-ring	D-5171-00	D-4869-00	D-5000-00
16	Cover O-ring	D-4976-00	D-4870-00	D-5001-00

RP Relief Valve Rubber Kit		
	Repair Kit Model Number	RK4A6RVR
Item #	Ordering Number	4A-00C-04
not Shown	Lubricant	I-9016-00
35	RV Seat O-ring	D-4867-00
37	Bushing O-ring	D-4883-00
44	RV Seat Disc	D-4863-00
46	Stem O-ring	D-4744-00
50	Diaphragm	D-4861-00
52	Diaphragm Plate O-ring	D-4865-00
8	Relief Valve Port O-ring	D-4866-00

RP Relief Valve Complete Kit		
	Repair Kit Model Number	RK4A6RVC
Item #	Ordering Number	4A-00C-05
not Shown	Lubricant	I-9016-00
35	RV Seat O-ring	D-4867-00
36	RV Seat Cage	L-7995-00
37	Bushing O-ring	D-4883-00
38	RV Module	W-9677-05
8	Relief Valve Port O-ring	D-4866-00

Note: All bronze components listed are lead-free*

* LEAD FREE: The wetted surfaces of this product shall contain no more than 0.25% lead by weighted average. Complies with CA AB1953, VT Act 193, MD HB372, LA HB471, and Federal Public Law 111-380.

PARTS LIST - 8" - 12"

RP4AN, RPLF4AN
RPDA4AN, RPDALF4AN (Mainline)
RPDA24AN, RPDA2LF4AN (Mainline)

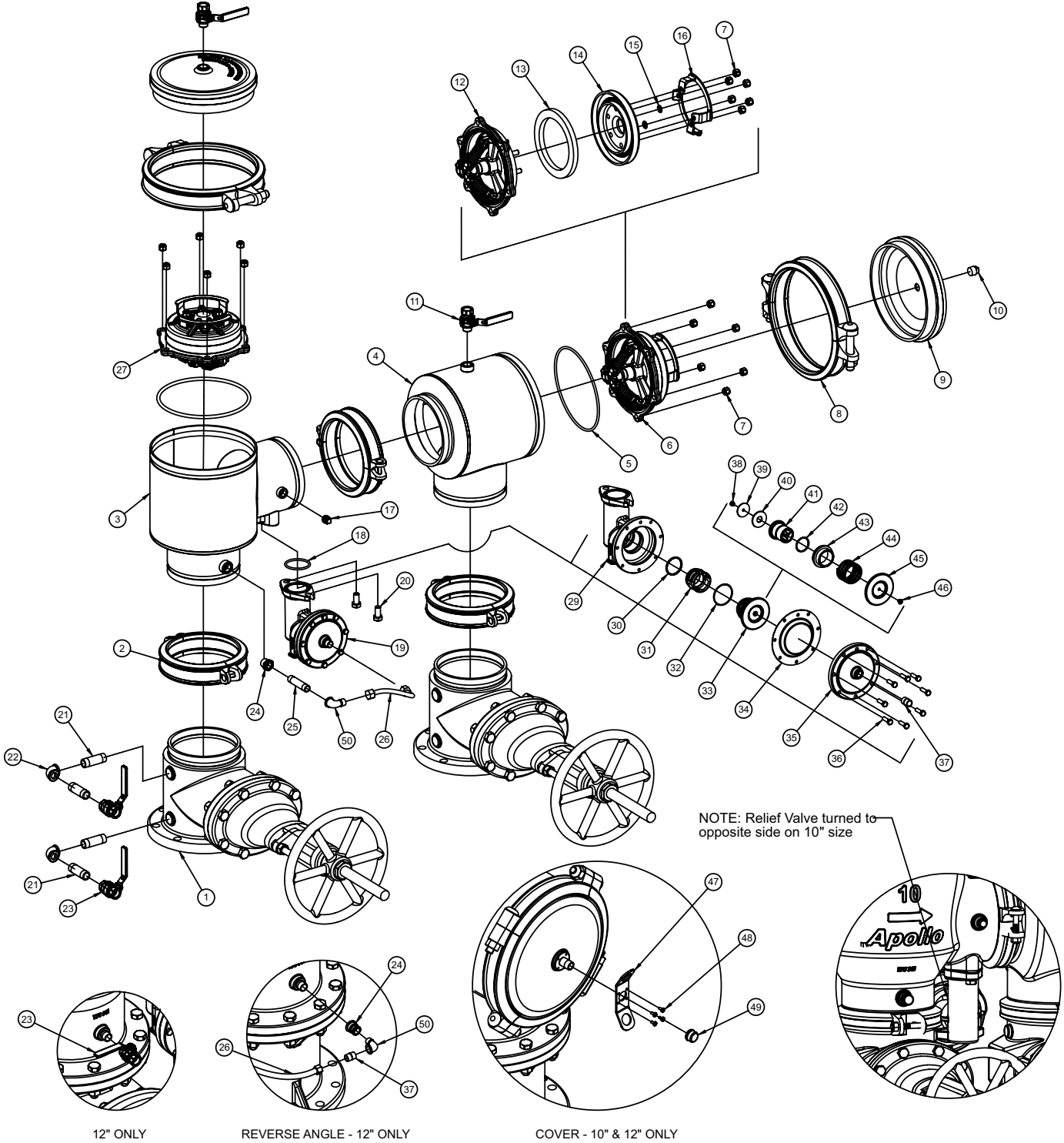


Figure 13

RP4AN / RPDA4AN (Mainline) / RPDA24AN (Mainline) Parts List RPL4AN / RPDALF4AN (Mainline) / RPDA2LF4AN (Mainline) Parts List

Item #	Description	Qty.	Part Number		
			8"	10"	12"
1	Shut-off Valve	2	See Pages 26 & 27		
2	Coupling/Bolt Pack	(QTY)	W-9791-00 (3)	W-5242-00 (3)	W-9243-00 (1) / 40-00H-BP (2)
3	First Check Valve Body	1	Consult Factory		
4	Second Check Valve Body	1	Consult Factory		
5	Check O-ring	2	D-4935-00	D-4997-00	
6	RP Second Check Module	1	W-9672-05	W-9861-05	
7	Locknut, 1/2-13	(QTY)	C-2638-00 (24)	C-2638-00 (32)	
8	Cover Clamp	2	W-9243-00	W-9355-00	
9	Cover	2	E-2898-05	Q-7064-19	
10	Plug, 3/4" NPT	1	K-4595-00	N/A	
11	Test Cock, MxF	2	77CLF-804-10	N/A	
12	RP Sec. Chk. Seat/Spring Sub-Assy	1	W-9721-05	W-9723-05	
13	Disc	2	D-4934-00	D-4960-00	
14	Disc Retainer	2	F-3899-00	F-3903-00	
15	Washer	(QTY)	E-2897-00 (4)	E-2897-00 (8)	
16	Handle	4	H-3828-00	H-3813-00	
17	Plug, 1/2" NPT	2	K-4594-05	N/A	
18	O-ring, RV Port	1	D-4963-00	D-2304-00	
19	Relief Valve Sub-assembly	1	W-9676-05	W-2329-05	
20	Screw	2	B-2348-00	B-1690-00	
21	Nipple	(QTY)	K-3412-00 (4)		K-3412-00 (2)
22	Elbow, 3/4", 90°	(QTY)	K-4599-00 (2)		K-4599-00 (1)
23	Test Cock, FxF	(QTY)	77CLF-104-10 (2)	77CLF-104-10 (4)	
24	Reducer Bushing	1	K-4605-00	K-4604-00	
25	Nipple	1	K-4630-00	N/A	
26	Sensing Hose	1	W-5250-00	W-9271-00	
27	RP First Check Module	1	W-9674-05	W-9863-05	
28	RP First Chk Seat/Spring Sub-Assy (not shown)	2	W-9722-05	W-9724-05	
29	RV Body	1	Q-6992-05	Q-7102-05	
30	RV Seat O-ring	1	D-4883-00	D-3506-00	
31	RV Seat	1	L-8047-00	L-8169-00	
32	Bushing O-ring	1	D-2565-00	D-4858-00	
33	RV Module	1	W-9675-05	W-2330-05	
34	Diaphragm	1	D-2564-00	D-2591-00	
35	RV Cover	1	Q-6994-05	Q-7103-05	
36	Screw	(QTY)	B-1796-00 (8)	B-1703-00 (8)	
37	Nipple	(QTY)	K-3460-00 (1)	K-3460-00 (2)	
38	Screw	1	B-1753-00	B-1796-00	
39	Washer	1	E-2200-00	E-2210-00	
40	RV Disc	1	D-2563-00	D-2595-00	
41	RV Stem	1	G-3240-00	G-4858-00	
42	RV Stem O-ring	1	D-2562-00	D-2594-00	
43	Bushing	1	I-9269-15	I-9431-15	
44	Spring	1	A-1742-00	A-1749-00	
45	Diaphragm Plate	(QTY)	E-2201-00 (1)	E-2209-05 (2)	
46	Screw	1	N/A	B-1800-00	
47	Lifting Tab	2	N/A	E-2955-05	
48	Screw, 1/4-20 X .50	8	N/A	B-1913-00	
49	Cap, 3/4" NPT	(QTY)	N/A	K-4657-00 (4)	K-4657-00 (3)
50	Cap, 1/2" NPT (not shown)	(QTY)	N/A	K-4656-00 (2)	
51	Elbow, Street	1	K-4600-00		

Individual parts are only available for bulk sales. Please refer to the appropriate repair kits on page 21.

Repair Kits (Mainline) 8" - 12"

Check Rubber Only Kit (One kit repairs one check)		Size	
		8"	10" & 12"
	Repair Kit Model Number	RK4A8CMR	RK4A12INCMR
Item #	Ordering Number	4A-00E-01	4A-00H-01
not Shown	Lubricant	I-9016-00	
13	Disc	D-4934-00	D-4960-00
5	Check O-ring	D-4935-00	D-4997-00
18	Relief Valve Port O-ring	D-4963-00	D-2304-00

RP First Check Complete Kit (One kit repairs one check)		Size	
		8"	10" & 12"
	Repair Kit Model Number	RK4A8RPCMC	RK4A12INRPCMC
Item #	Ordering Number	4A-00E-03	4A-00H-03
not Shown	Lubricant	I-9016-00	
27	1st Check Module S-Assy	W-9674-05	W-9863-05
5	Check O-ring	D-4935-00	D-4997-00

RP Second Check Complete Kit (One kit repairs one check)		Size	
		8"	10" & 12"
	Repair Kit Model Number	RK4A8CMC	RK4A12INCMC
Item #	Ordering Number	4A-00E-02	4A-00H-02
not Shown	Lubricant	I-9016-00	
6	2nd Check Module S-Assy	W-9672-05	W-9861-05
5	Check O-ring	D-4935-00	D-4997-00

RP Relief Valve Rubber Kit		Size	
		8"	10" & 12"
	Repair Kit Model Number	RK4A8RVR	RK4A12INRVR
Item #	Ordering Number	4A-00E-04	4A-00H-04
not Shown	Lubricant	I-9016-00	
30	RV Seat O-ring	D-4883-00	D-3506-00
32	Bushing O-ring	D-2565-00	D-4858-00
34	Diaphragm	D-2564-00	D-2591-00
40	RV Seat Disc	D-2563-00	D-2595-00
42	Stem O-ring	D-2562-00	D-2594-00
not Shown	Dia. Plate O-ring	N/A	D-2512-00

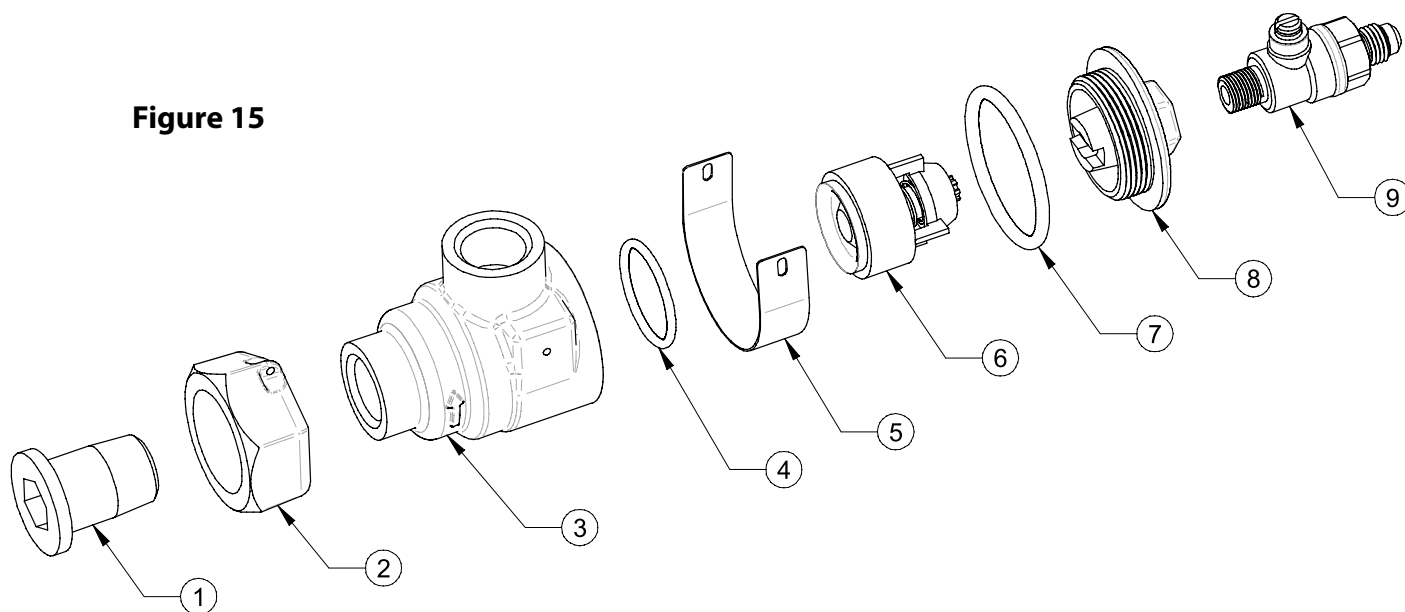
RP Relief Valve Complete Kit		Size	
		8"	10" & 12"
	Repair Kit Model Number	RK4A8RVC	RK4A12INRVC
Item #	Ordering Number	4A-00E-05	4A-00H-05
not Shown	Lubricant	I-9016-00	
34	Diaphragm	D-2564-00	D-2591-00
30	RV Seat O-ring	D-4883-00	D-3506-00
31	RV Seat Cage	L-8047-00	L-8169-00
32	Bushing O-ring	D-2565-00	D-4858-00
33	RV Module	W-9675-00	W-2330-05

Note: All bronze components listed are lead-free*

* LEAD FREE: The wetted surfaces of this product shall contain no more than 0.25% lead by weighted average. Complies with CA AB1953, VT Act 193, MD HB372, LA HB471, and Federal Public Law 111-380.

PARTS LIST - BYPASS SINGLE CHECK (TYPE 2)

Figure 15



W977005 Single Check Valve (Lead Free*)

Item	Part #	Description	Qty
1	K-4587-06	Tailpiece	1
2	C-1844-05	Union Nut	1
3	Q-7281-05	Body	1
4	D-3885-00	Check O-ring	1
5	I-9342-00	Nameplate	1
6	F-3228-00	Check Valve	1
7	D-3589-00	Cap O-ring	1
8	F-4042-05	Cap	1
9	78LF-270-01	Test Cock	1

Individual parts are only available for bulk sales. Please refer to the appropriate repair kits below.

Bypass RP Repair Kits

4A-003-12: Check Repair Kit: Includes items 4, 6, and 7 (1 ea.)

4A-003-13: Check Complete Kit: Includes items 1-9 (1 ea.)

*Note: All bronze components listed are lead-free**

* LEAD FREE: The wetted surfaces of this product shall contain no more than 0.25% lead by weighted average. Complies with CA AB1953, VT Act 193, MD HB372, LA HB471, and Federal Public Law 111-380.

VIII. MAINTENANCE INSTRUCTIONS - BYPASS SINGLE CHECK (TYPE 2)

A. Disassembly - Check Valve Module

1. Close #2 bypass line shut-off valve, then close #1 bypass line shut-off valve.
2. Bleed pressure from the assembly by opening the upstream test cock (located on the bypass line #1 shut-off valve) and the downstream test cock (located on the check valve cap.)
3. Unscrew cap using hex head provided.
4. Pull check module straight out of body. Needle-nose pliers will aid in removing check valve. Check o-ring may remain in valve body. *NOTE: Check valve modules are not user serviceable. In the event of check failure, replacement modules are sold individually. However, debris caught in the check may be rinsed out.*

B. Assembly - Check Valve Module

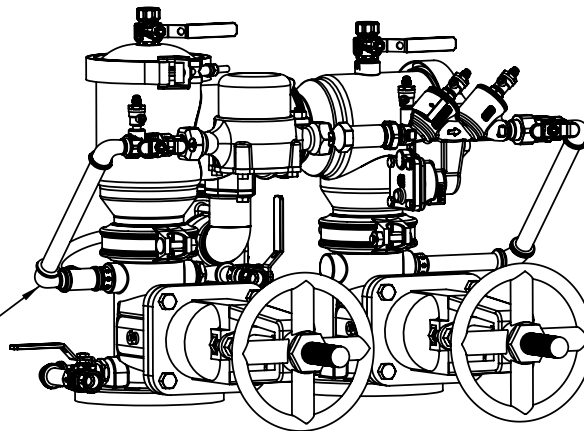
1. Install new or cleaned check valve module into body (ensure check o-ring is in place).
2. Apply a thin coat of Apollo supplied lubricant, DOW 111 or equal, on cap o-ring.
3. Install cap.

BYPASS LINE KITS

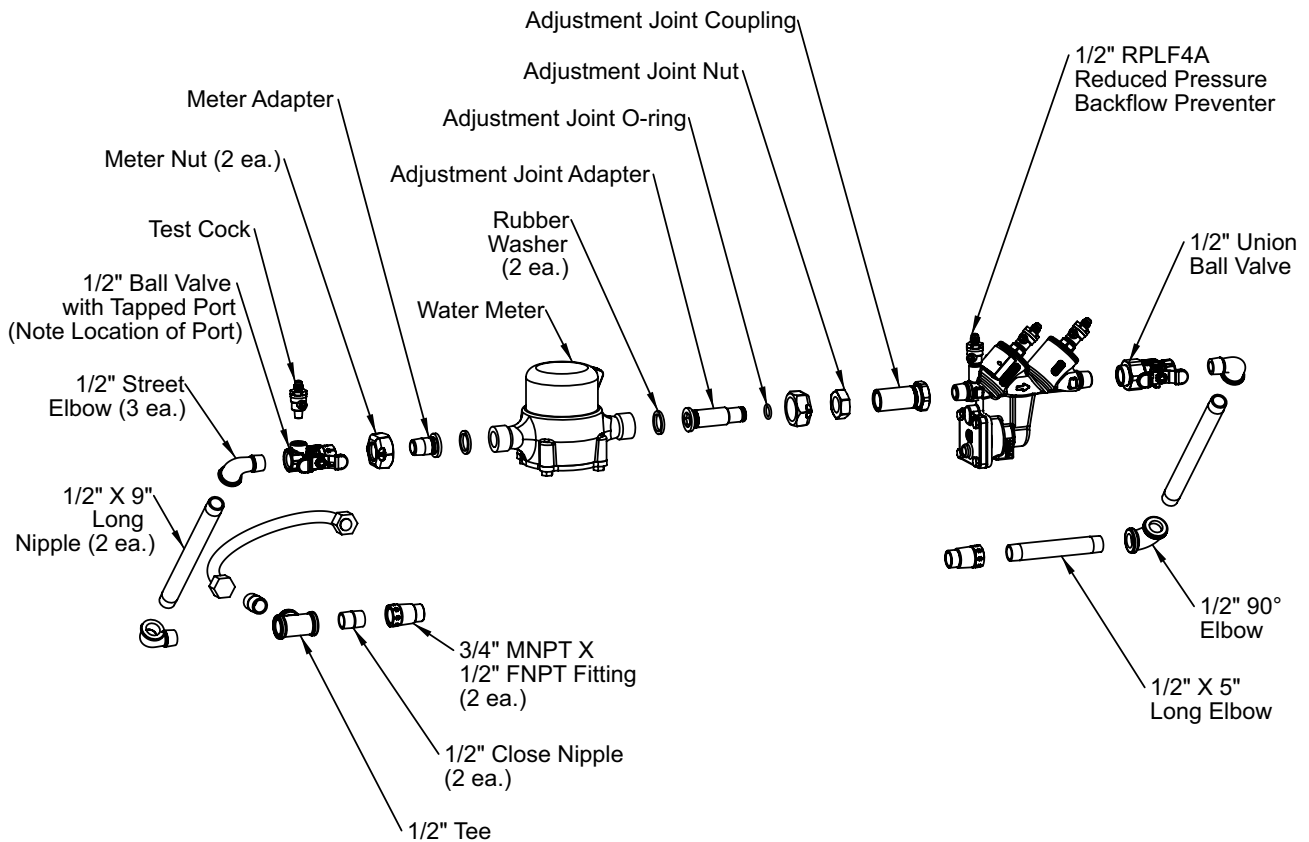
SIZE	METER OPTION	TYPE 1 BYPASS KIT PART NO.	TYPE 2 BYPASS KIT PART NO.
2-1/2"	GALLONS PER MIN	4ANLF-700-BPE	4ANLF-720-BPE
	CUBIC FT PER MIN	4ANLF-700-BPC	4ANLF-720-BPC
	NO METER	4ANLF-700-BPG	4ANLF-720-BPG
3"	GALLONS PER MIN	4ANLF-700-BPE	4ANLF-720-BPE
	CUBIC FT PER MIN	4ANLF-700-BPC	4ANLF-720-BPC
	NO METER	4ANLF-700-BPG	4ANLF-720-BPG
4"	GALLONS PER MIN	4ANLF-70A-BPE	4ANLF-72A-BPE
	CUBIC FT PER MIN	4ANLF-70A-BPC	4ANLF-72A-BPC
	NO METER	4ANLF-70A-BPG	4ANLF-72A-BPG
6"	GALLONS PER MIN	4ANLF-70C-BPE	4ANLF-72C-BPE
	CUBIC FT PER MIN	4ANLF-70C-BPC	4ANLF-72C-BPC
	NO METER	4ANLF-70C-BPG	4ANLF-72C-BPG
8"	GALLONS PER MIN	4ANLF-70E-BPE	4ANLF-72E-BPE
	CUBIC FT PER MIN	4ANLF-70E-BPC	4ANLF-72E-BPC
	NO METER	4ANLF-70E-BPG	4ANLF-72E-BPG
10"	GALLONS PER MIN	4ANLF-70G-BPE	4ANLF-72G-BPE
	CUBIC FT PER MIN	4ANLF-70G-BPC	4ANLF-72G-BPC
	NO METER	4ANLF-70G-BPG	4ANLF-72G-BPG
12"	GALLONS PER MIN	4ANLF-70H-BPE	4ANLF-72H-BPE
	CUBIC FT PER MIN	4ANLF-70H-BPC	4ANLF-72H-BPC
	NO METER	4ANLF-70H-BPG	4ANLF-72H-BPG

BYPASS KITS

**2-1/2" & 3"
 TYPE 1
 BYPASS
 LINE**



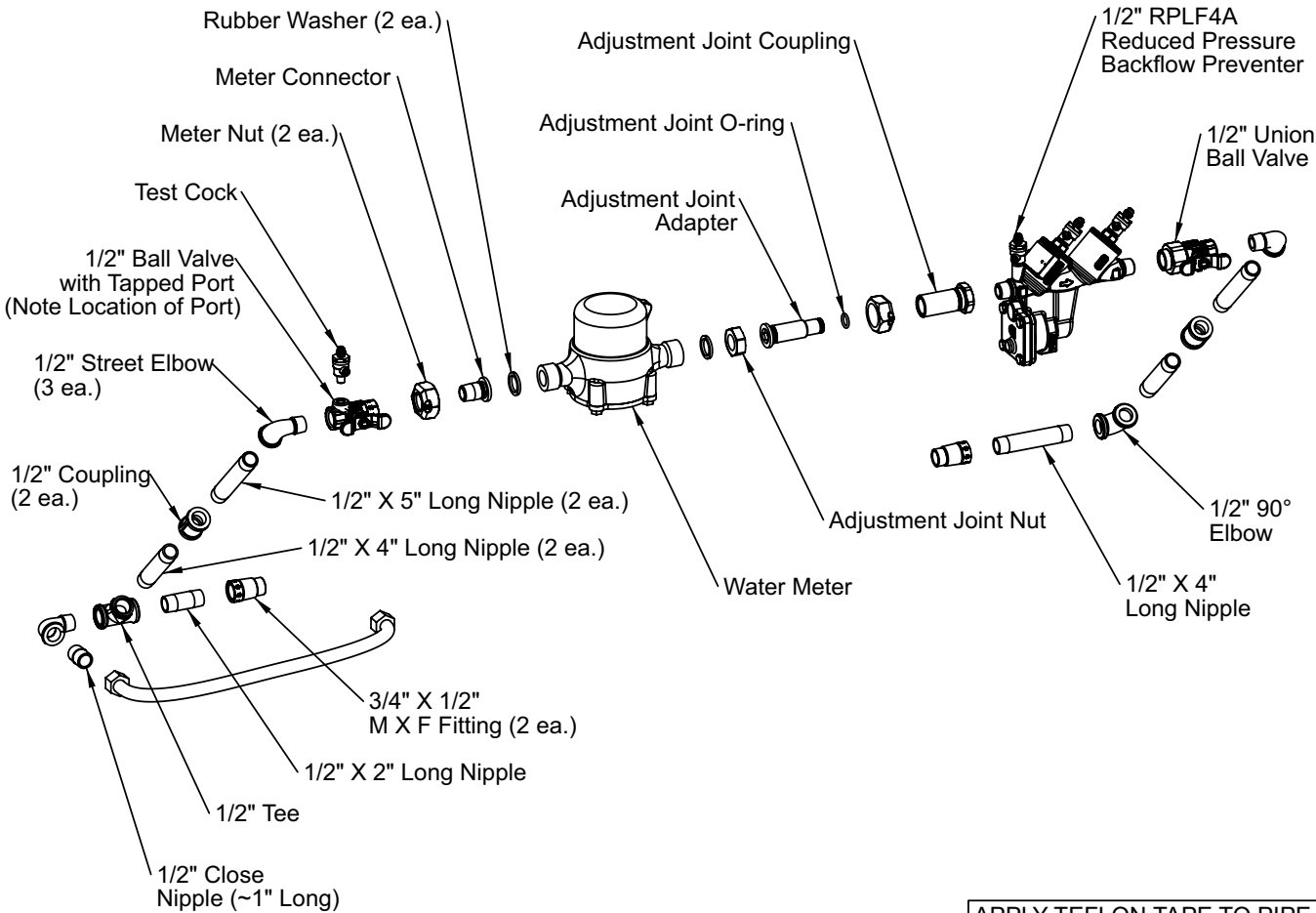
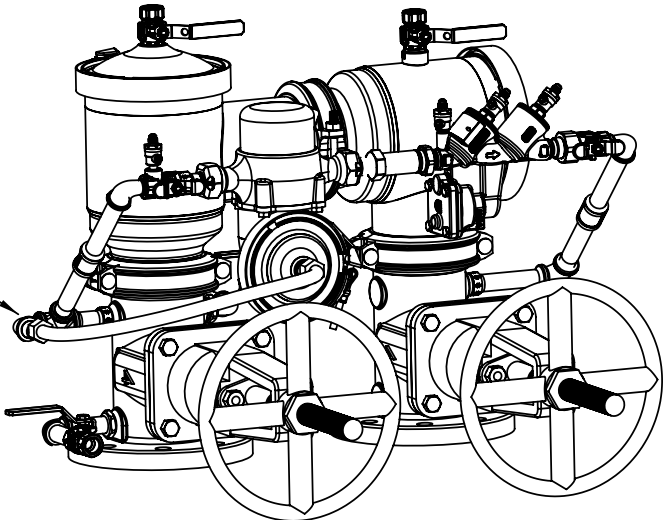
Note:
 Remove #2 test cock
 before installing bypass line
 and move to other side
 of gate valve



APPLY TEFLON TAPE TO PIPE
 THREADS AND INSTALL
 COMPONENTS AS SHOWN.

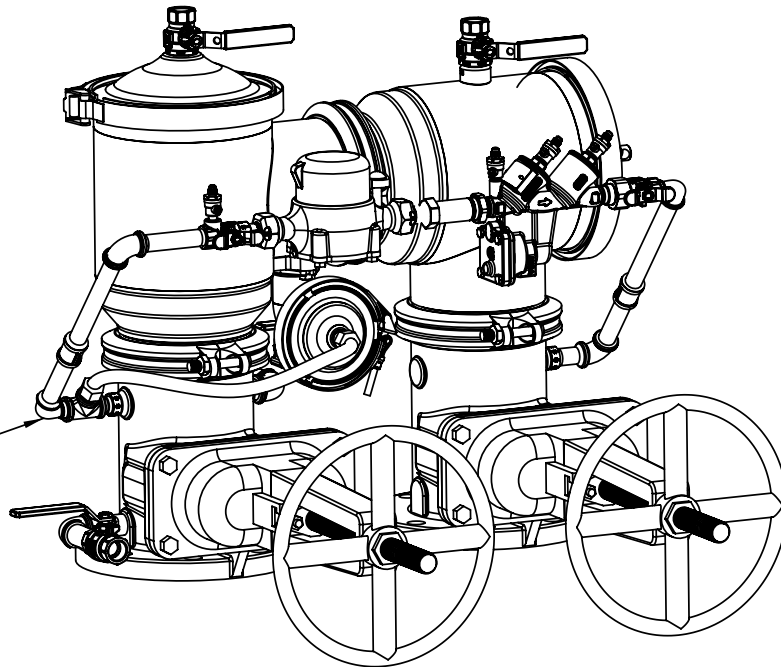
4" TYPE 1 BYPASS LINE

Note: Remove #2 test cock before installing bypass line and move to other side of gate valve

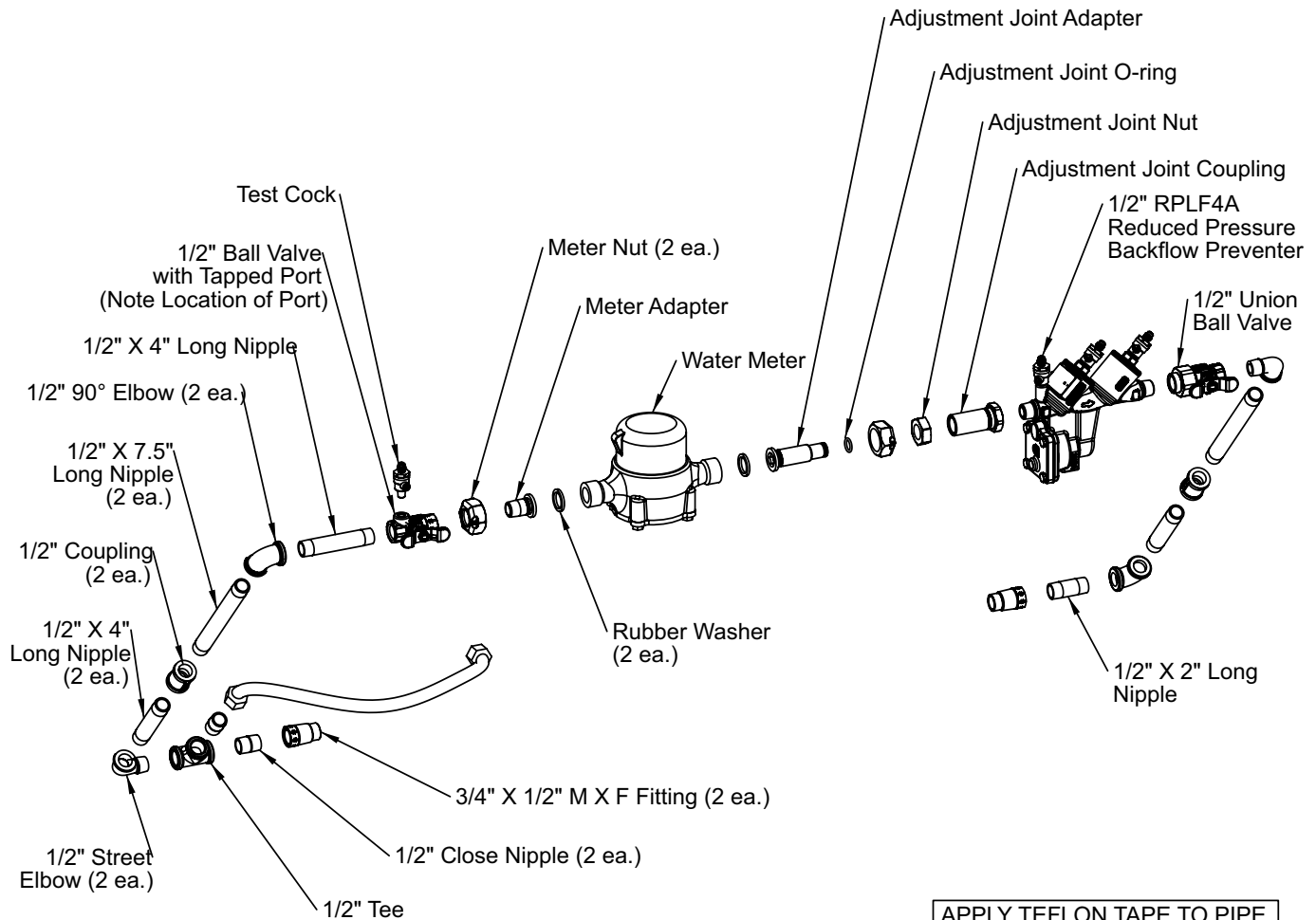


APPLY TEFLON TAPE TO PIPE THREADS AND INSTALL COMPONENTS AS SHOWN.

**6"
 TYPE 1
 BYPASS
 LINE**

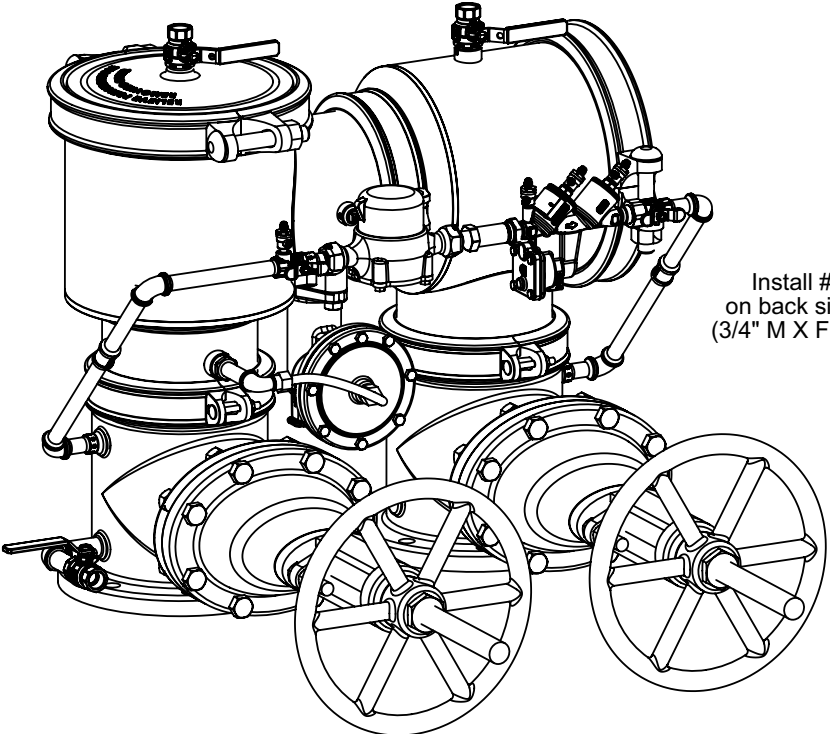


Note:
 Remove #2 test cock
 before installing bypass line
 and move to other side
 of gate valve

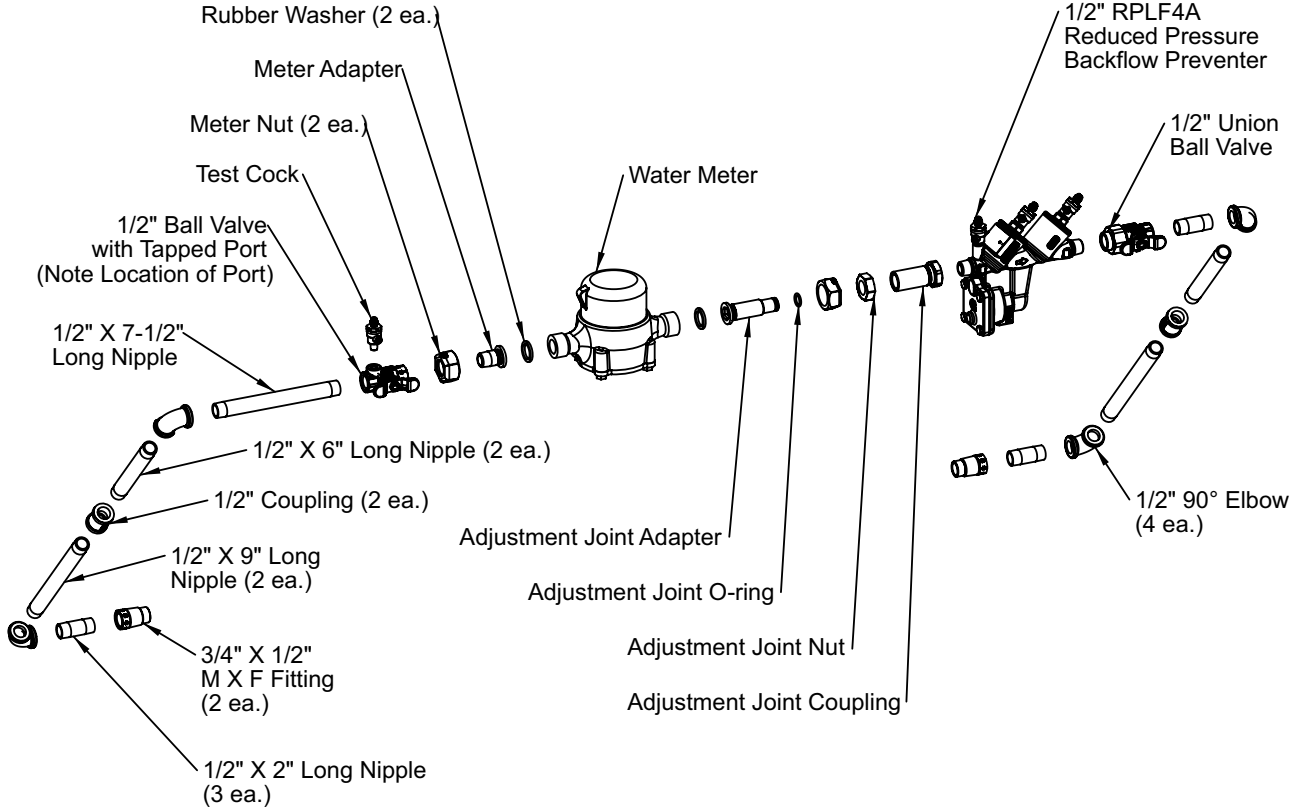
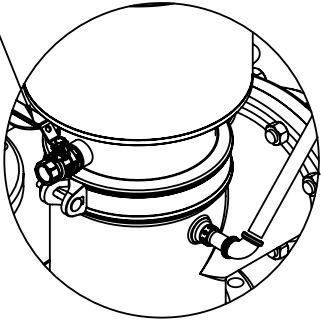


**APPLY TEFLON TAPE TO PIPE
 THREADS AND INSTALL
 COMPONENTS AS SHOWN.**

8" TYPE 1 BYPASS LINE

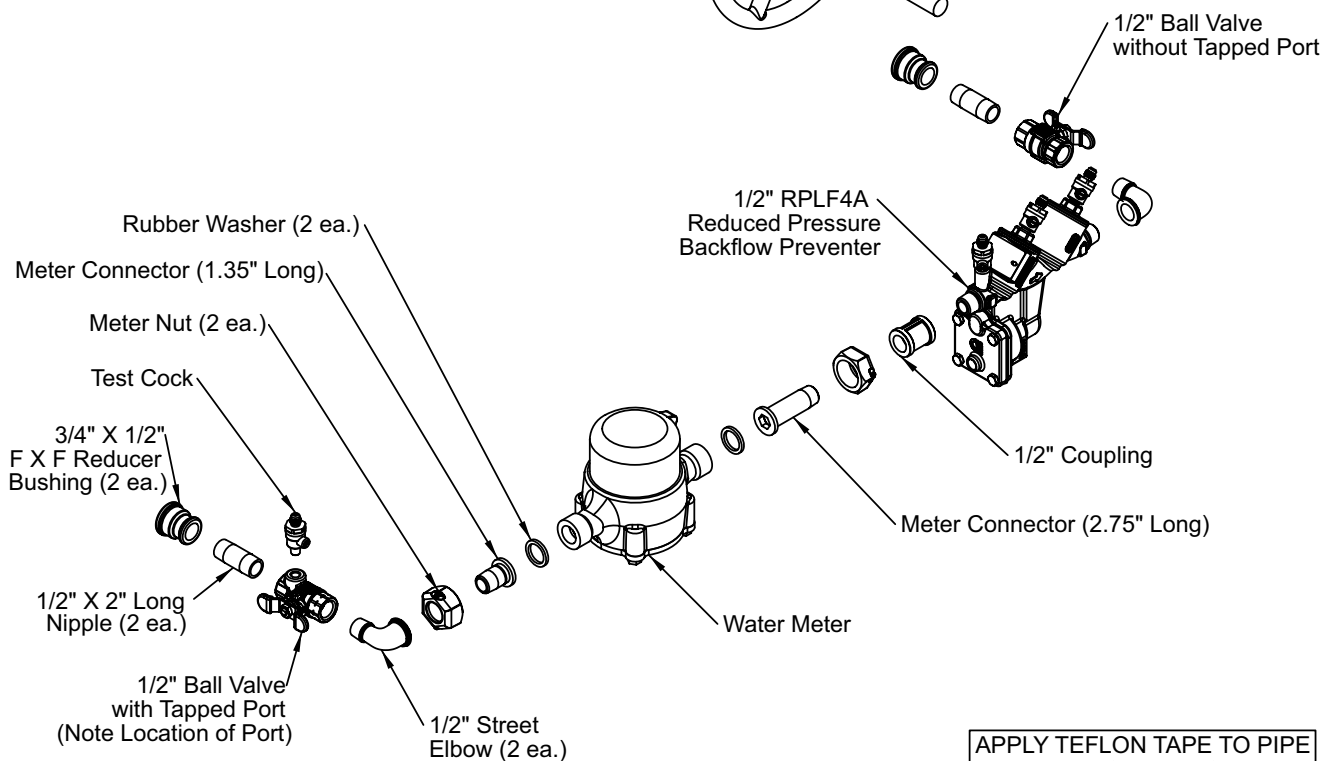
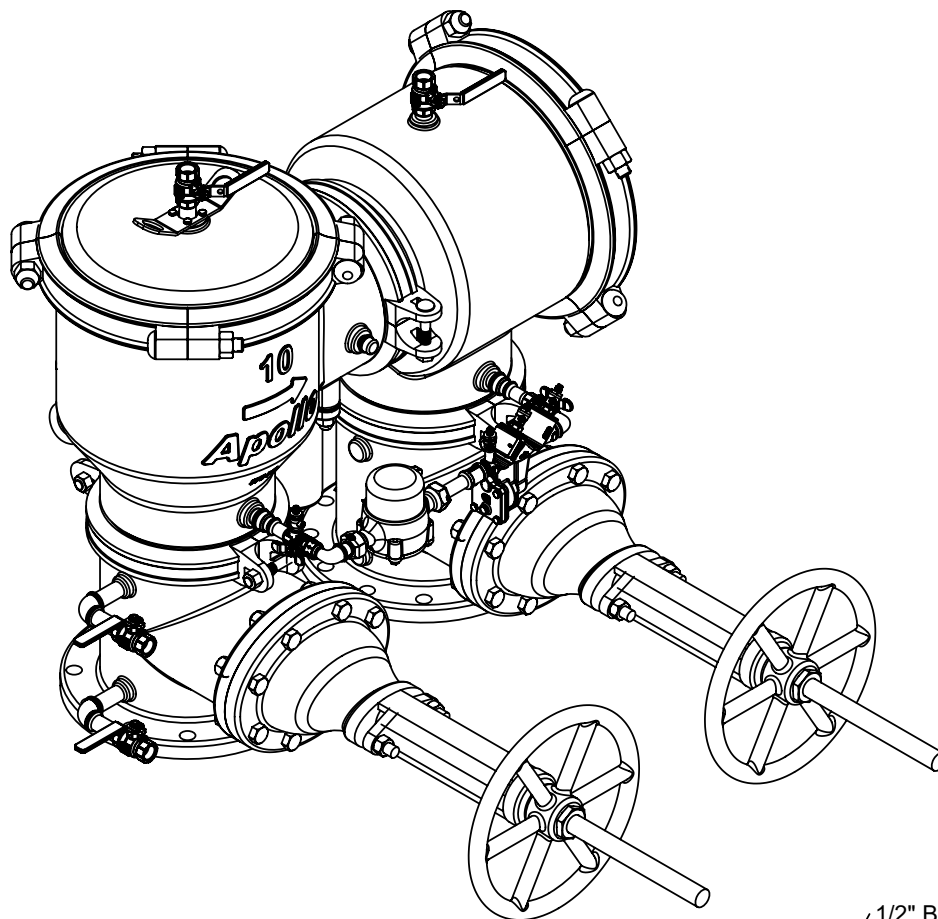


BACK VIEW



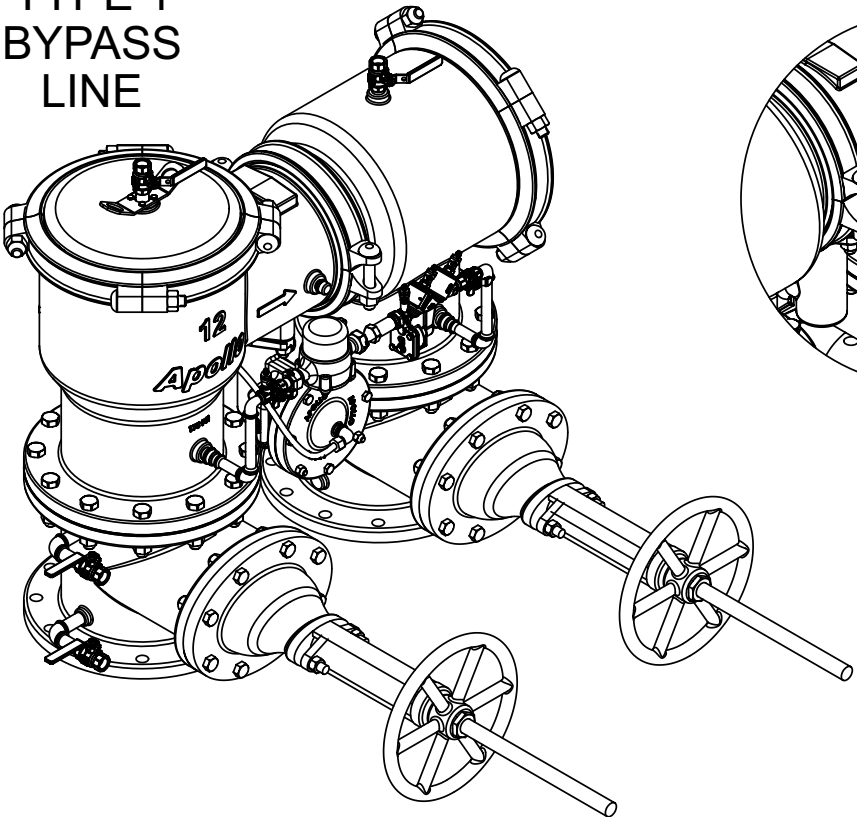
APPLY TEFLON TAPE TO PIPE THREADS AND INSTALL COMPONENTS AS SHOWN.

**10"
 TYPE 1
 BYPASS
 LINE**

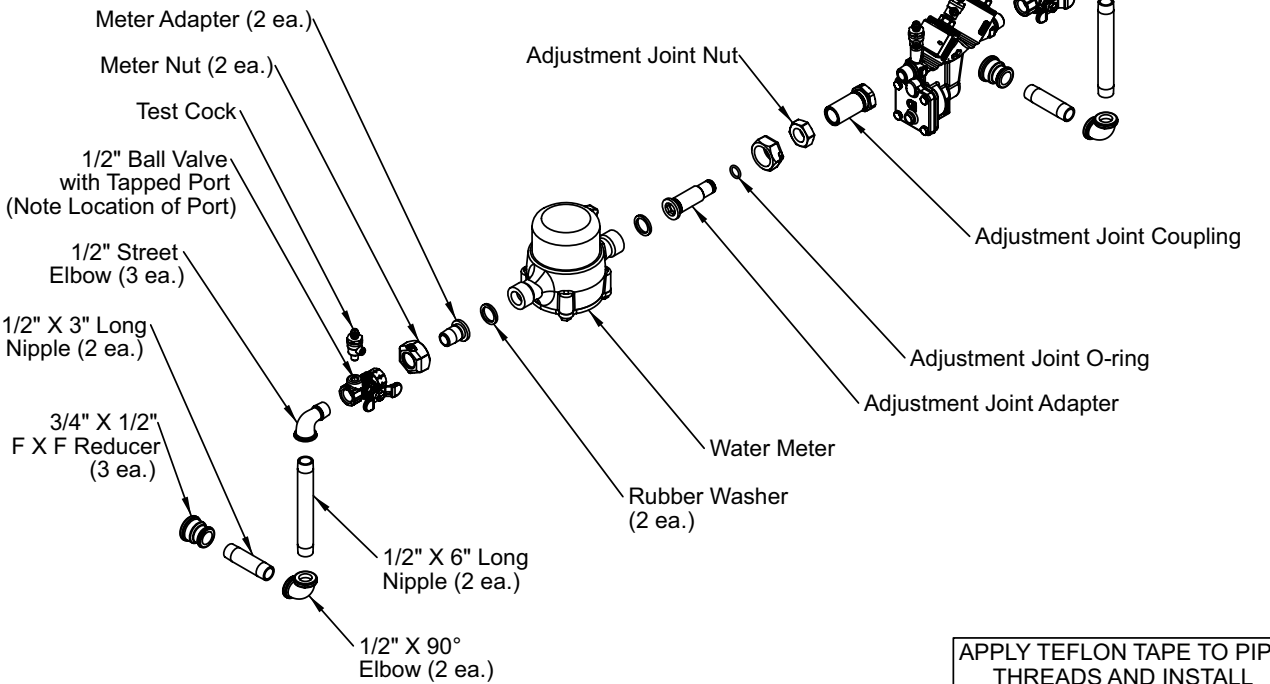
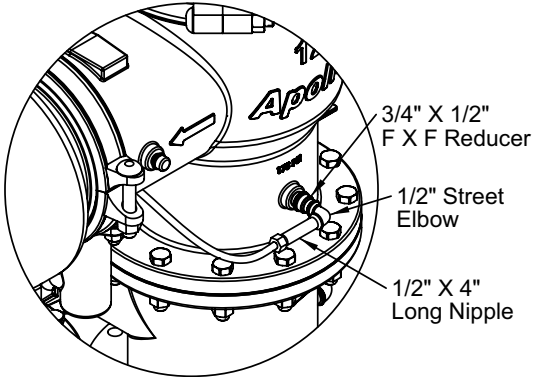


**APPLY TEFLON TAPE TO PIPE
 THREADS AND INSTALL
 COMPONENTS AS SHOWN.**

12" TYPE 1 BYPASS LINE

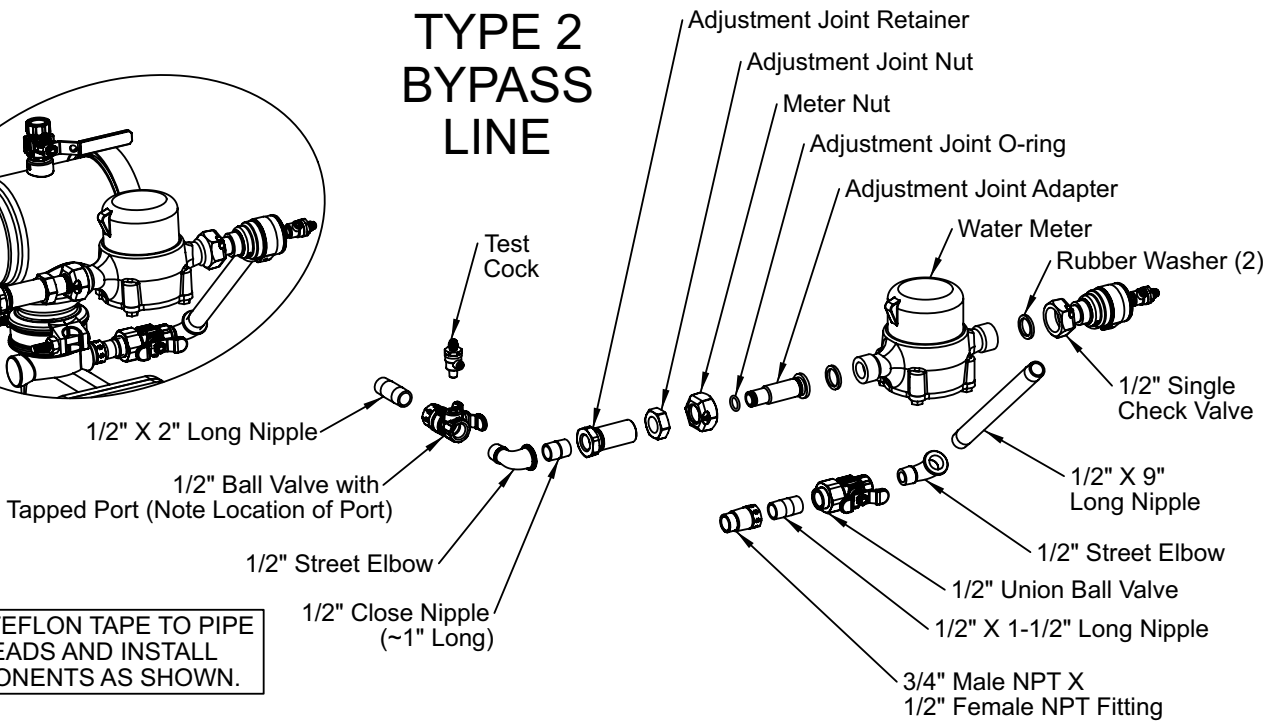
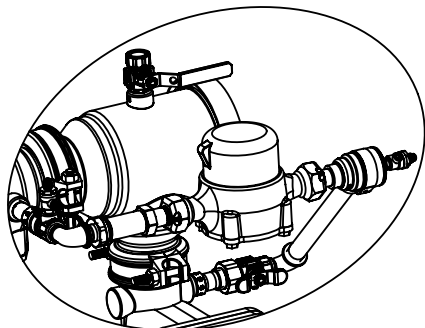


BACK VIEW



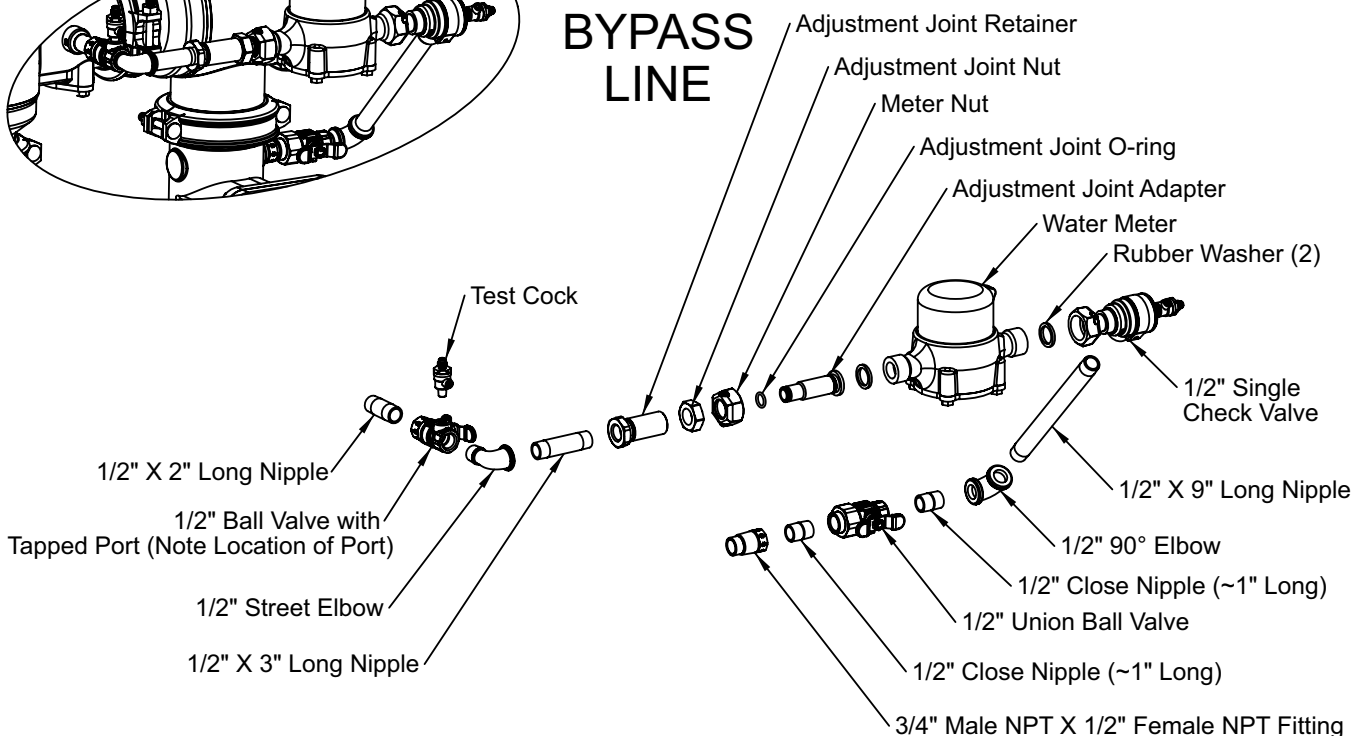
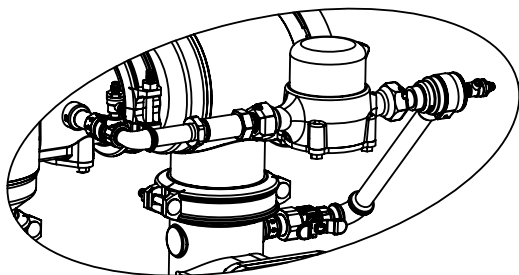
APPLY TEFLON TAPE TO PIPE THREADS AND INSTALL COMPONENTS AS SHOWN.

**2-1/2" & 3"
 TYPE 2
 BYPASS
 LINE**

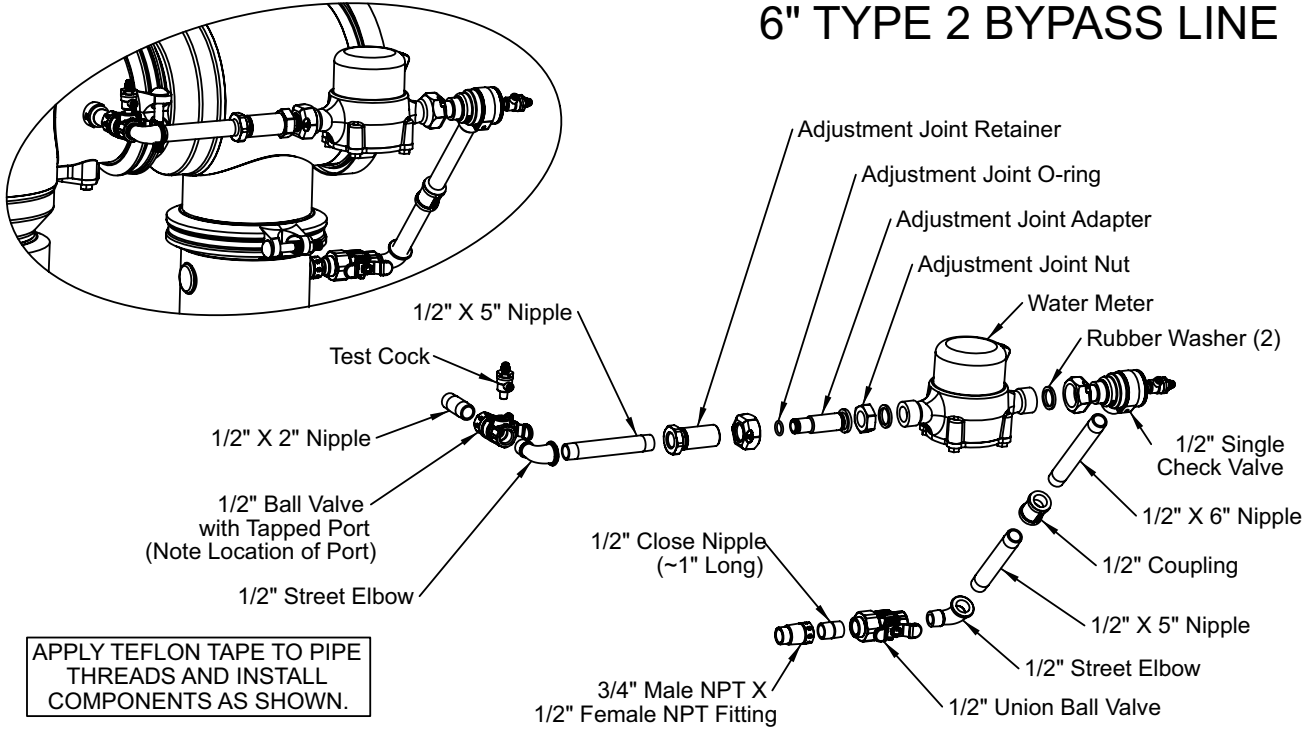


APPLY TEFLON TAPE TO PIPE
 THREADS AND INSTALL
 COMPONENTS AS SHOWN.

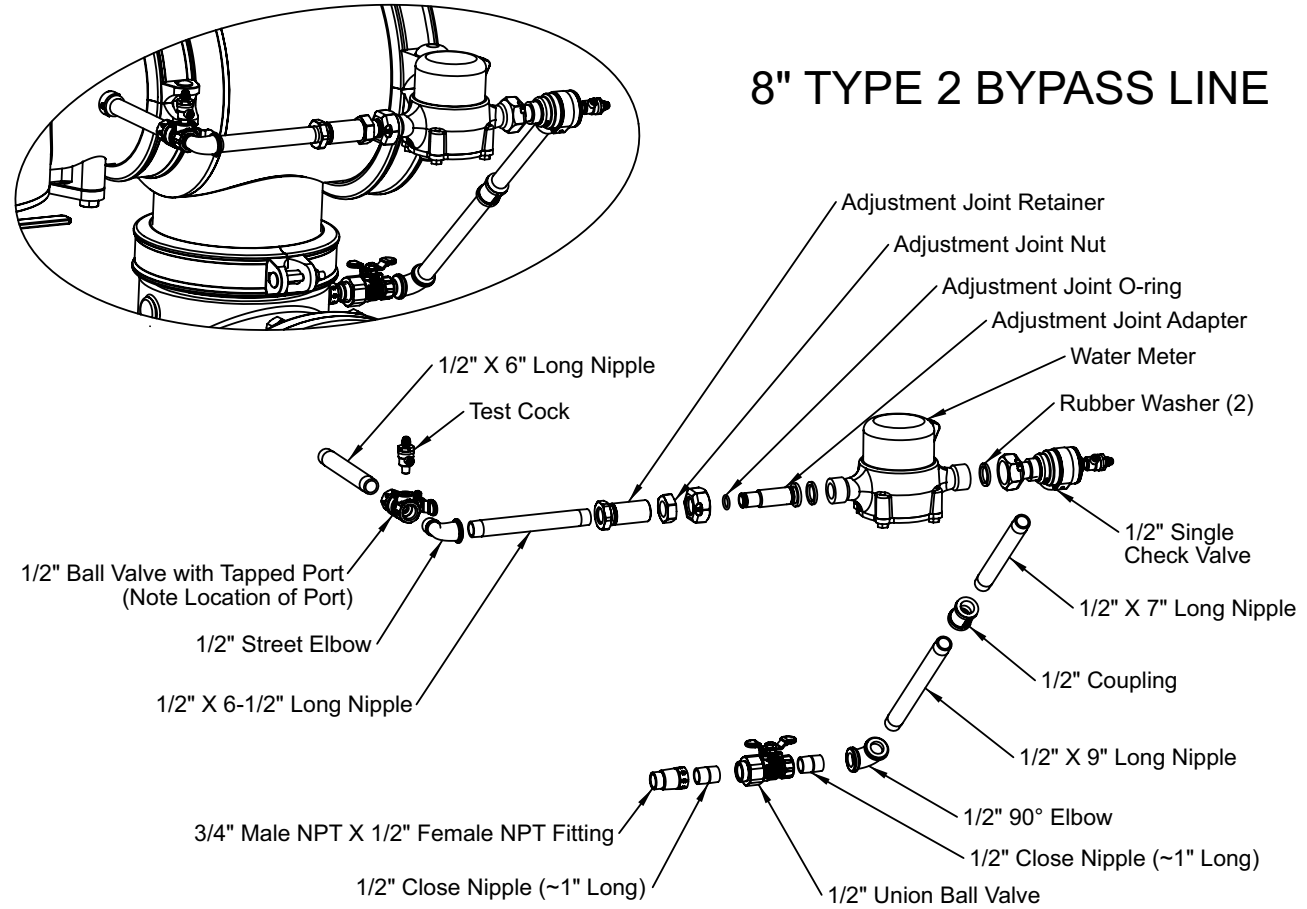
**4"
 TYPE 2
 BYPASS
 LINE**



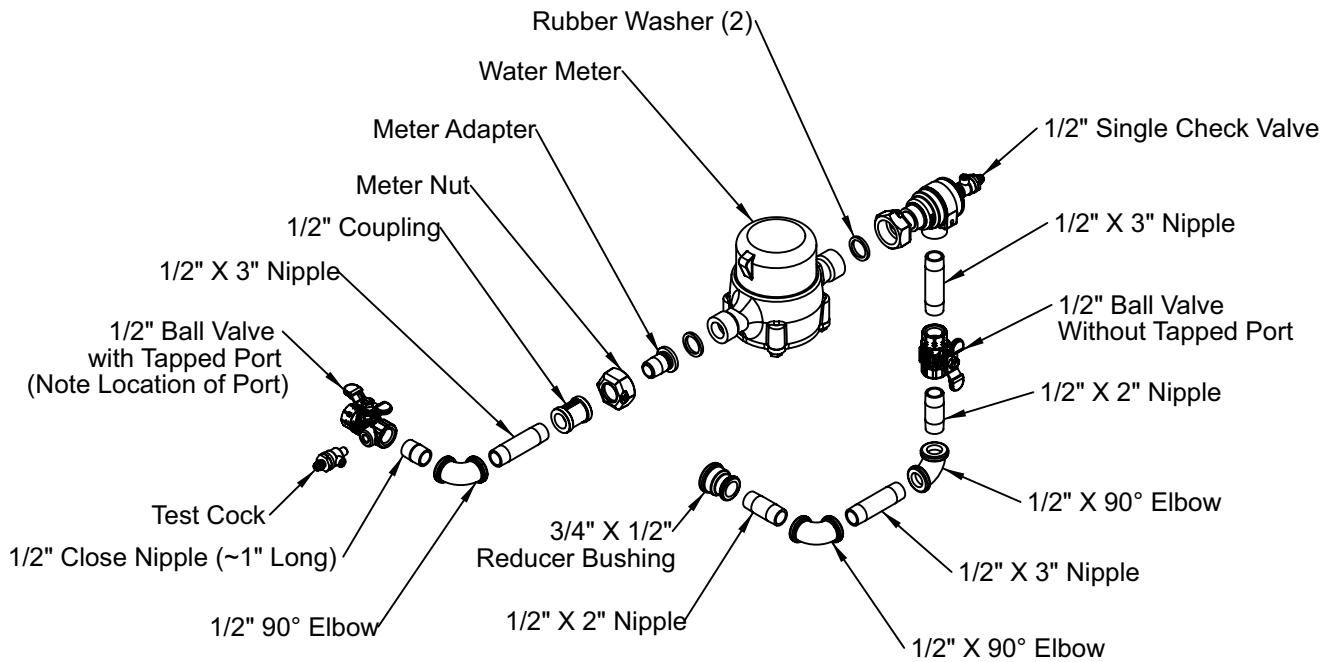
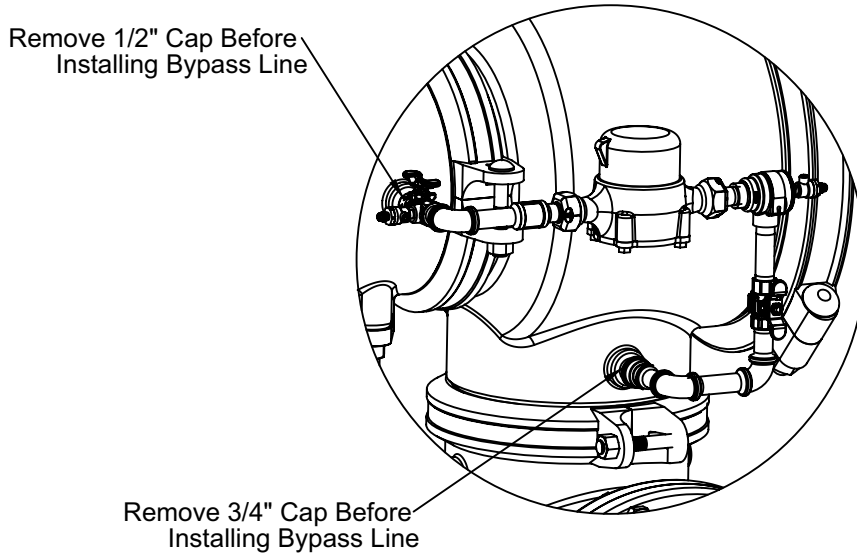
6" TYPE 2 BYPASS LINE



8" TYPE 2 BYPASS LINE

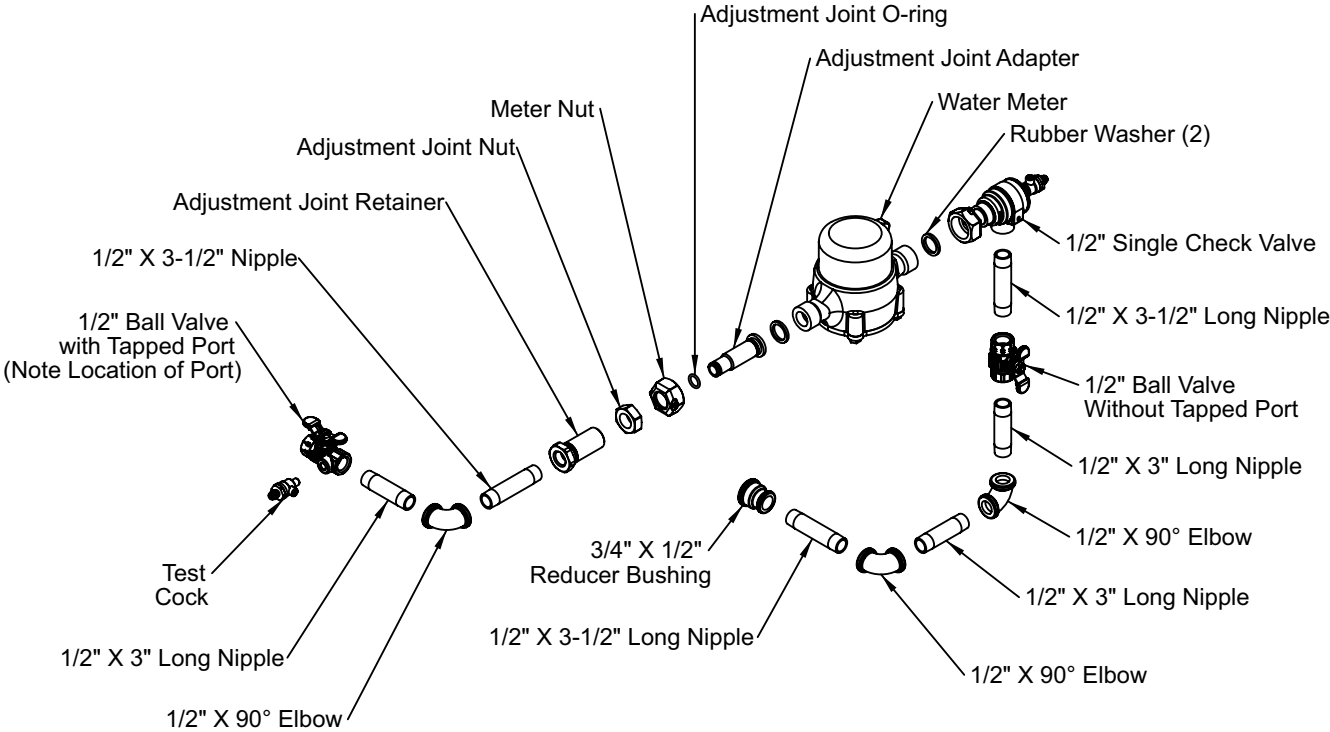
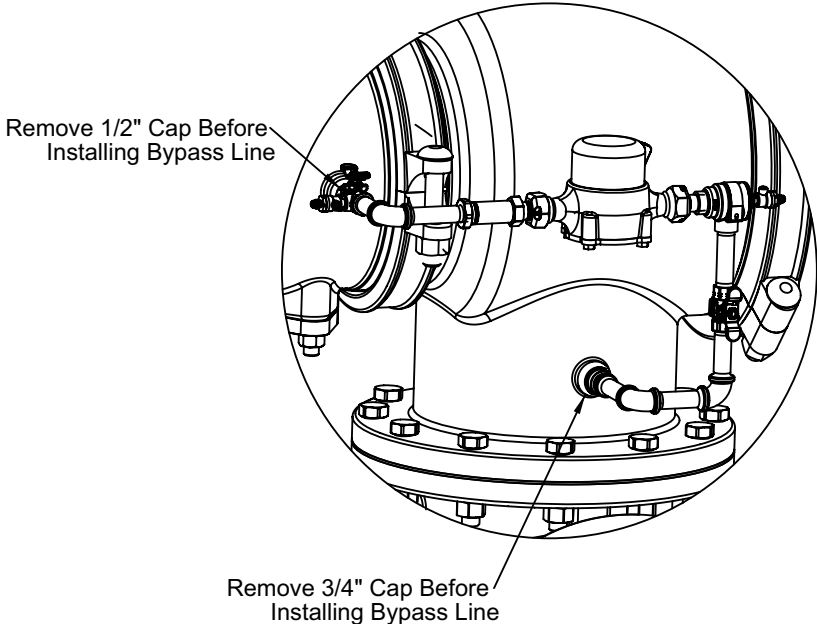


**10"
 TYPE 2
 BYPASS
 LINE**



**APPLY TEFLON TAPE TO PIPE
 THREADS AND INSTALL
 COMPONENTS AS SHOWN.**

12" TYPE 2 BYPASS LINE



APPLY TEFLON TAPE TO PIPE THREADS AND INSTALL COMPONENTS AS SHOWN.

PARTS LIST – BYPASS RP (TYPE 1)

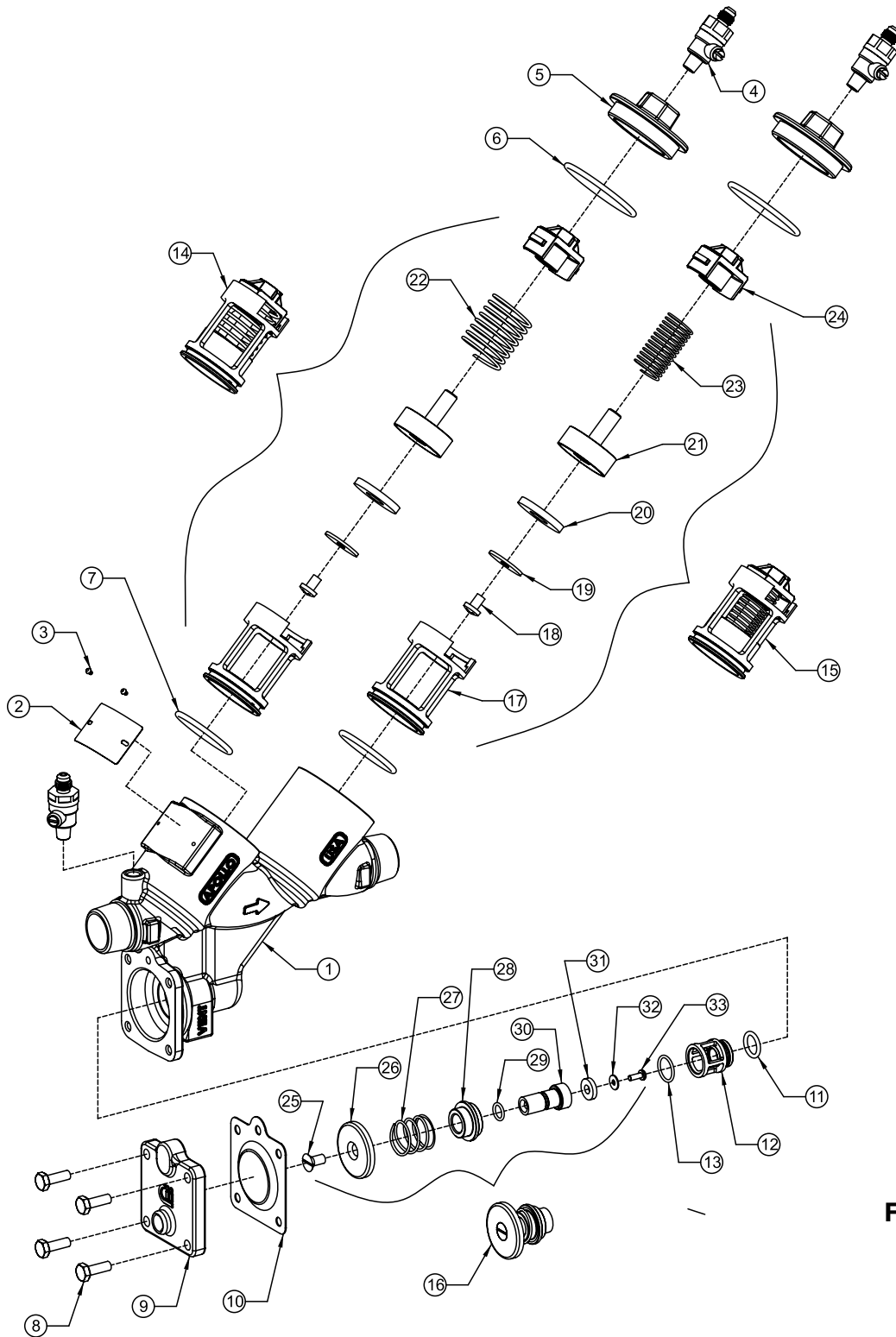


Figure 14

W965505 Reduced Pressure Bypass Valve (Lead Free*)

Type 1 Bypass RP Parts List

Item	Description	Part#	Qty
1	Body	Q-6891-05	1
2	Nameplate	I-9169-00	1
3	Nameplate Tack	I-2614-00	2
4	Test Cock	78LF-292-01	4
5	Cap	F-3847-05	2
6	Cap O-Ring	D-4881-00	2
7	Check Module O-Ring	D-4880-00	2
8	RV Cover Bolts	B-1793-00	4
9	RV Cover	F-3891-05	1
10	RV Diaphragm	D-2632-00	1
11	RV Seat O-Ring	D-4892-00	1
12	RV Seat	L-7894-00	1
13	RV Bushing Face O-Ring	D-4893-00	1
14	1st Check Module S-Assy (see table below)	W-9207-05	1
15	2nd Check Module S-Assy (see table below)	W-9075-05	1
16	RV Module S-Assy (see table below)	W-9586-05	1

Individual parts are only available for bulk sales. Please refer to the appropriate repair kits below.

Type 1 Bypass RP Check Module Parts List

Item	Description	Part#	Qty
17	Check Seat	L-7815-00	1
18	Screw	B-3279-00	1
19	Disc Retaining Washer	E-2372-00	1
20	Seat Disc	D-4771-00	1
21	Poppet	K-4491-00	1
22	Spring, First Check	A-2514-00	1
23	Spring, Second Check	A-2505-00	1
24	Spring Retainer	L-7814-00	1

Individual parts are only available for bulk sales. Please refer to the appropriate repair kits below.

Type 1 Bypass Relief Valve Module Subassembly Parts List

Item	Description	Part#	Qty
25	RV Diaphragm Plate Screw	B-1749-00	1
26	RV Diaphragm Plate	E-2222-00	1
27	RV Spring	A-2542-00	1
28	RV Bushing	I-9225-00	1
29	RV Stem O-Ring	D-4891-00	1
30	RV Stem	G-4791-00	1
31	RV Seat Disc	D-4833-00	1
32	RV Seat Disc Washer	NONE	1
33	RV Seat Disc Screw	B-3254-00	1

*Note: All bronze components listed are lead-free**

* LEAD FREE: The wetted surfaces of this product shall contain no more than 0.25% lead by weighted average. Complies with CA AB1953, VT Act 193, MD HB372, LA HB471, and Federal Public Law 111-380.

Individual parts are only available for bulk sales. Please refer to the appropriate repair kits below.

Bypass RP Repair Kits

- 4A-003-01:** Check Rubber Repair Kit: Includes items 6, 7, and 20 (1 ea.)
- 4A-003-03:** RP First Check Repair Kit: Includes items 6, 7, and 14 (1 ea.)
- 4A-003-02:** RP Second Check Repair Kit: Includes items 6, 7, and 15 (1 ea.)
- 4A-005-04:** RP Relief Valve Rubber Kit: Includes items 10, 11, 13, 29, and 31 (1 ea.)
- 4A-005-05:** RP Relief Valve Complete Kit: Includes items 10, 11, 12, 13, and 16 (1 ea.)
- 4A-005-09:** RP Complete Rubber Kit: Includes items 6, 7, and 20 (2 ea.), 10, 11, 13, 29, and 31 (1 ea.)

IX. MAINTENANCE INSTRUCTIONS - BYPASS RP (TYPE 1)

NOTE: See Figure 14

A. Disassembly - Check Valves

1. Close #2 shut-off valve, then close #1 shut-off valve.
2. Bleed pressure from the assembly by opening #2, #3, and #4 test cocks.
3. Unscrew cap using hex head provided.
4. Push down and turn the spring retainer 90° to remove. Remove the spring. Remove the poppet from the check seat.
5. Normally, the check seat need not be removed. If removal is required, rock it back and forth while pulling outward.

B. Disassembly - Check Valve Poppet

CAUTION: Do not use pliers or other tools, which may damage or scratch the plastic stem.

1. Holding the poppet assembly in one hand, remove screw and retaining washer.
2. Remove the seat disc.
3. All parts should be carefully inspected for any damage or excessive wear and thoroughly rinsed in clean water prior to reassembly. Replace worn parts as necessary.

C. Assembly - Check Valve Poppet

1. Install new or cleaned disc in poppet and secure with washer and screw.

D. Assembly - Check Valve

1. If the check seat was removed, install the new o-ring and lubricate with Apollo supplied lubricant, Dow 111, or equivalent. Line up the seat with the bore and push it firmly into place.
2. Place and center the poppet assembly in the check seat.
3. Install the spring onto the poppet.
4. Install the spring retainer onto the spring by pushing down into the grooves of the check seat and turning 90°. Ensure spring retainer pops up about 1/8" and locks into the lugs. **CAUTION: Ensure the spring retainer orientation matches that in the parts list drawing or the device's flow will be significantly restricted (i.e. - do not install the spring retainer upside down).**
5. Apply a thin coat of Apollo supplied lubricant, DOW 111 or equal, on cap o-ring.
6. Install cap.

E. Disassembly - Relief Valve

1. Remove cover bolts, cover, and diaphragm.
2. Grasp the diaphragm plate and pull the assembly straight out of the body.
3. Hold the relief valve assembly in one hand and remove the screw.
4. Remove the seat disc.

Note: Items 5 through 7 are not normally required.

5. Turn the assembly over, keeping the spring compressed by holding down on the diaphragm plate, remove screw.
6. Remove the diaphragm plate, spring, and bushing from the RV stem. Note the orientation of the bushing with respect to the spring.
7. Remove the o-ring from the RV stem.
8. Normally, the RV seat need not be removed. If removal is required, rock it back and forth while pulling outward.
9. All parts should be carefully inspected for any damage or excessive wear and thoroughly rinsed in clean water prior to reassembly. Replace worn parts as necessary.

F. Assembly - Relief Valve

1. Apply a thin coat of Apollo supplied lubricant, Dow 111, or equal on o-rings before installing.
2. Install o-ring on RV seat. Line up the seat with the bore and push firmly into place.
3. If the RV stem has been disassembled, install o-ring onto RV stem.
4. Slide bushing over RV stem and position spring onto bushing. Note the correct position of the bushing from step #6 in disassembly instructions. (Spring must fit over the smaller shoulder of the bushing upon reassembly.)
5. Position diaphragm plate and compress spring, install screw into RV stem.
6. Turn the assembly over and install seat disc and screw.
7. Install o-ring onto bushing.
8. Slide complete assembly into the body.
9. Position diaphragm over flange, install cover, and tighten bolts evenly.
10. Open #1 shut-off valve and bleed air out of the unit through #2, #3, and #4 test cocks; then open #2 shut-off valve.
11. Test complete assembly to ensure proper operation.

SHUT-OFF VALVE PART NUMBERS

SHUT-OFF VALVE OPTIONS -- 2-1/2"			
Assembly Description (Inlet x Outlet)	Inlet	Outlet	Suffix
FLG NRS X FLG NRS	W-5310-00	W-5310-00	-02
FLG OS&Y X FLG OS&Y	W-4733-00	W-4733-00	-03
FLG OS&Y X MONIT. BFLY	W-4733-00	W-5244-00	-04
FLG OS&Y X GROOVED OS&Y	W-4733-00	W-5282-00	-07
GROOVED OS&Y X GROOVED OS&Y	W-5282-00	W-5282-00	-08
MONITORED BFLY X MONITORED BFLY	W-5244-00	W-5244-00	-09
GRV NRS X GRV NRS	W-9369-00	W-9369-00	-011
FLG NRS X GRV NRS	W-5310-00	W-9369-00	-012

SHUT-OFF VALVE OPTIONS -- 3"					
Assembly Description (Inlet x Outlet)	Inlet	Outlet	Post Plate	Operating Nut	Suffix
FLG NRS X FLG NRS	W-5311-00	W-5311-00	N/A	N/A	-02
FLG OS&Y X FLG OS&Y	W-4734-00	W-4734-00	N/A	N/A	-03
FLG OS&Y X MONIT. BFLY	W-4734-00	W-5245-00	N/A	N/A	-04
FLG OS&Y X FLG PI	W-4734-00	W-5311-00	E-2922-00	C-2640-00	-06
FLG OS&Y X GROOVED OS&Y	W-4734-00	W-5283-00	N/A	N/A	-07
GROOVED OS&Y X GROOVED OS&Y	W-5283-00	W-5283-00	N/A	N/A	-08
MONITORED BFLY X MONITORED BFLY	W-5245-00	W-5245-00	N/A	N/A	-09
FLG OS&Y X GRV PI	W-4734-00	W-9370-00	E-2922-00	C-2640-00	-010
GRV NRS X GRV NRS	W-9370-00	W-9370-00	N/A	N/A	-011
FLG NRS X GRV NRS	W-5311-00	W-9370-00	N/A	N/A	-012
FLG PI X MONITORED BFLY	W-5311-00	W-5245-00	E-2922-00	C-2640-00	-013
FLG PI X FLG PI	W-5311-00	W-5311-00	E-2922-00	C-2640-00	-014
MONITORED BFLY X FLG PI	W-5245-00	W-5311-00	E-2922-00	C-2640-00	-016
FLG PI X GRV OS&Y	W-5311-00	W-5283-00	E-2922-00	C-2640-00	-017

SHUT-OFF VALVE PART NUMBERS - cont'd

SHUT-OFF VALVE OPTIONS -- 4"					
Assembly Description (Inlet x Outlet)	Inlet	Outlet	Post Plate	Operating Nut	Suffix
FLG NRS X FLG NRS	W-5312-00	W-5312-00	N/A	N/A	-02
FLG OS&Y X FLG OS&Y	W-4735-00	W-4735-00	N/A	N/A	-03
FLG OS&Y X MONIT. BFLY	W-4735-00	W-5246-00	N/A	N/A	-04
FLG OS&Y X FLG PI	W-4735-00	W-5312-00	E-2922-00	C-2640-00	-06
FLG OS&Y X GROOVED OS&Y	W-4735-00	W-5284-00	N/A	N/A	-07
GROOVED OS&Y X GROOVED OS&Y	W-5284-00	W-5284-00	N/A	N/A	-08
MONITORED BFLY X MONITORED BFLY	W-5246-00	W-5246-00	N/A	N/A	-09
FLG OS&Y X GRV PI	W-9126-00	W-9371-00	E-2922-00	C-2640-00	-010
GRV NRS X GRV NRS	W-9371-00	W-9371-00	N/A	N/A	-011
FLG NRS X GRV NRS	W-5312-00	W-9371-00	N/A	N/A	-012
FLG PI X MONITORED BFLY	W-5312-00	W-5246-00	E-2922-00	C-2640-00	-013
FLG PI X FLG PI	W-5312-00	W-5312-00	E-2922-00	C-2640-00	-014
MONITORED BFLY X FLG PI	W-5246-00	W-5312-00	E-2922-00	C-2640-00	-016
FLG PI X GRV OS&Y	W-5312-00	W-5284-00	E-2922-00	C-2640-00	-017

SHUT-OFF VALVE OPTIONS -- 6"					
Assembly Description (Inlet x Outlet)	Inlet	Outlet	Post Plate	Operating Nut	Suffix
FLG NRS X FLG NRS	W-5313-00	W-5313-00	N/A	N/A	-02
FLG OS&Y X FLG OS&Y	W-4736-00	W-4736-00	N/A	N/A	-03
FLG OS&Y X MONIT. BFLY	W-4736-00	W-5247-00	N/A	N/A	-04
FLG OS&Y X FLG PI	W-4736-00	W-5313-00	E-2923-00	C-2641-00	-06
FLG OS&Y X GROOVED OS&Y	W-4736-00	W-5285-00	N/A	N/A	-07
GROOVED OS&Y X GROOVED OS&Y	W-5285-00	W-5285-00	N/A	N/A	-08
MONITORED BFLY X MONITORED BFLY	W-5247-00	W-5247-00	N/A	N/A	-09
FLG OS&Y X GRV PI	W-4736-00	W-9372-00	E-2923-00	C-2641-00	-010
GRV NRS X GRV NRS	W-9372-00	W-9372-00	N/A	N/A	-011
FLG NRS X GRV NRS	W-5313-00	W-9372-00	N/A	N/A	-012
FLG PI X MONITORED BFLY	W-5313-00	W-5247-00	E-2923-00	C-2641-00	-013
FLG PI X FLG PI	W-5313-00	W-5313-00	E-2923-00	C-2641-00	-014
MONITORED BFLY X FLG PI	W-5247-00	W-5313-00	E-2923-00	C-2641-00	-016
FLG PI X GRV OS&Y	W-5313-00	W-5285-00	E-2923-00	C-2641-00	-017

SHUT-OFF VALVE OPTIONS -- 8"					
Assembly Description (Inlet x Outlet)	Inlet	Outlet	Post Plate	Operating Nut	Suffix
FLG NRS X FLG NRS	W-5314-00	W-5314-00	N/A	N/A	-02
FLG OS&Y X FLG OS&Y	W-4737-00	W-4737-00	N/A	N/A	-03
FLG OS&Y X MONIT. BFLY	W-4737-00	W-5248-00	N/A	N/A	-04
FLG OS&Y X FLG PI	W-4737-00	W-5314-00	E-2924-00	C-2642-00	-06
FLG OS&Y X GROOVED OS&Y	W-4737-00	W-5286-00	N/A	N/A	-07
GROOVED OS&Y X GROOVED OS&Y	W-5286-00	W-5286-00	N/A	N/A	-08
MONITORED BFLY X MONITORED BFLY	W-5248-00	W-5248-00	N/A	N/A	-09
FLG OS&Y X GRV PI	W-4737-00	W-9373-00	E-2924-00	C-2642-00	-010
GRV NRS X GRV NRS	W-9373-00	W-9373-00	N/A	N/A	-011
FLG NRS X GRV NRS	W-5314-00	W-9373-00	N/A	N/A	-012
FLG PI X MONITORED BFLY	W-5314-00	W-5248-00	E-2924-00	C-2642-00	-013
FLG PI X FLG PI	W-5314-00	W-5314-00	E-2924-00	C-2642-00	-014
MONITORED BFLY X FLG PI	W-5248-00	W-5314-00	E-2924-00	C-2642-00	-016
FLG PI X GRV OS&Y	W-5314-00	W-5286-00	E-2924-00	C-2642-00	-017

SHUT-OFF VALVE PART NUMBERS - cont'd

SHUT-OFF VALVE OPTIONS -- 10"					
Assembly Description (Inlet x Outlet)	Inlet	Outlet	Post Plate	Operating Nut	Suffix
FLG NRS X FLG NRS	W-5315-00	W-5315-00	N/A	N/A	-02
FLG OS&Y X FLG OS&Y	W-4738-00	W-4738-00	N/A	N/A	-03
FLG OS&Y X MONIT. BFLY	W-4738-00	W-5249-00	N/A	N/A	-04
FLG OS&Y X FLG PI	W-4738-00	W-5315-00	E-2925-00	C-2643-00	-06
FLG OS&Y X GROOVED OS&Y	W-4738-00	W-5321-00	N/A	N/A	-07
GROOVED OS&Y X GROOVED OS&Y	W-5321-00	W-5321-00	N/A	N/A	-08
MONITORED BFLY X MONITORED BFLY	W-5249-00	W-5249-00	N/A	N/A	-09
FLG OS&Y X GRV PI	W-4738-00	W-2341-00	E-2925-00	C-2643-00	-010
GRV NRS X GRV NRS	W-2341-00	W-2341-00			-011
FLG NRS X GRV NRS	W-5315-00	W-2341-00			-012
FLG PI X MONITORED BFLY	W-5315-00	W-5249-00	E-2925-00	C-2643-00	-013
FLG PI X FLG PI	W-5315-00	W-5315-00	E-2925-00	C-2643-00	-014
MONITORED BFLY X FLG PI	W-5249-00	W-5315-00	E-2925-00	C-2643-00	-016
FLG PI X GRV OS&Y	W-5315-00	W-5321-00	E-2925-00	C-2643-00	-017

SHUT-OFF VALVE OPTIONS -- 12"				
Assembly Description (Inlet x Outlet)	Inlet	Outlet	Post Plate	Operating Nut
FLG NRS X FLG NRS	W-4737-00	W-5314-00	N/A	N/A
FLG OS&Y X FLG OS&Y	W-4737-00	W-4737-00	N/A	N/A
FLG OS&Y X FLG PI	W-4737-00	W-5314-00	E-2925-00	C-2643-00



SALES & CUSTOMER SERVICE:

Phone: (704) 841-6000

Fax: (704) 841-6020

www.apollovalves.com

	AGENCY	AREAS COVERED	EMAIL	PHONE	FAX
SOUTHEAST REGION	Mid South Marketing, Inc.	VA/MD/Washington, D.C./WV-East	michael.uecker@msmsales1.com	804-213-3801	804-213-3802
	Pro Marketing, Inc.	NC/SC/TN-East	sales@promarketinginc.net	864-578-4334	864-578-4889
	Spirit Group	FL (except Panhandle)	info@spiritgroupinc.com	407-291-6035	407-299-0378
	Tim Morales & Associates, Inc.	AL/FL Panhandle	sales@timmorales.com	251-602-8333	251-602-8339
	White Wolf Group	GA	info@whitewolfgroupinc.com	800-401-4870	888-908-9372
SOUTHERN REGION	BWC Inc.	LA (Commercial Products)	chuck@bwcassoc.com	504-734-0229	504-734-3711
	Marathon Flow Control	TX, OK, KS except Northeast, LA (Industrial)	sales@marathonflowcontrol.com	214-201-0100	214-201-0104
	Southern Marketing Group	MS/TN-West/AR/Bowie Cty.-TX	SMG49@bellsouth.net	901-547-0042	901-547-0035
MIDWESTERN REGION	FourMation Sales	MN/ND/SD/WI-West	ryan@fourmationsales.com	763-420-6900	763-420-6993
	Marshall-Rodeno Heartland	NE/IA (Except River Counties)	trodeno@marshallrodeno.com	303-575-6701	303-575-6706
	Midwest Spec	Northern OH, Western PA, WV	glsales@mwspec.com	330-538-0406	330-538-0410
	Midwest Spec	Southern OH, KY	rvsales@mwspec.com	513-353-9191	513-353-1589
	New Tech Marketing	Northern-IL/WI-East/IN/MI-UP/IA-River Counties	sales@new-techmarketing.com	630-378-4300	630-378-0343
	New Tech Marketing	MO/Southern IL/Northeast Kansas	ntm112@aol.com	618-394-0329	618-394-0427
	V.E. Sales Co., Inc.	MI (Except Upper Peninsula)	tomv@vesalesinc.com	586-774-7760	586-774-1490
WESTERN REGION	Elmco Duddy	CA - South	tduddy@elmcoduddy.com	626-333-9942	626-855-4811
	Gordon & Associates	WA, OR, AK, Northern counties ID	kenn@gordonandassoc.com	907-441-7184	425-228-7777
	HC Fletcher	CA - North (AB 1953 Compliant Product & Fire Protection)	apollosales@hcfletcher.com	800-432-7047	949-660-9072
	Marshall-Rodeno Associated	CO/WY/MT/ID-SE/UT/NV-NE/NM/EI Paso-TX	trodeno@marshallrodeno.com	303-575-6701	303-575-6706
	Romatec	CA - North PVF (Non AB 1953)	apollo@romatec.com	877-530-3530	661-588-3534
	Southwest Valves	CA (Waterworks)	d.burell@southwestvalve.com	559-261-2703	559-261-2711
	Southwestern Industrial Sales Co. Spec Management Group	AZ/Nevada-SW HI	eduardop@sw-ind.com msmarch4@cox.net	480-458-5838 949-481-4225	480-458-5843 949-487-0990
NORTHEAST REGION	Conroy & Griese Sales, Inc.	NY-East/NJ-North	iezzi52@aol.com	856-663-4440	856-663-6644
	Keith Engle & Associates	OEM accounts	keith.engle@verizon.net	610-827-9560	610-827-9561
	Layden Company	NY-Upstate/PA-East/DE/NJ-South	joejr@laydencompany.com	617-529-6657	617-529-3361
	Urell, Inc.	MA/New England States	conbraco@urell.com	617-923-9500	617-926-9414
IRRIGATION ONLY REPS	Active Sales Northwest, Inc.	OR, WA, Western ID	skactive@aol.com	541-726-0320	541-726-1148
	Biz Sales Company	OH, KY, MI, IN, parts of PA, WV, WI	dzavelson@bizpvf.com	216-595-2888	216-595-2899
	Fourmation Sales	MN/ND/SD/WI-West	dean@fourmationsales.com	763-262-4700	763-262-4740
	Hall Marketing	AL, LA	hallmarketing@bellsouth.net	228-547-4637	228-832-6666
	J&J Midwest Sales	NE, IA, MO, KS	john@jandjmidwestsales.com	314-422-8419	
	Jim Benton & Associates	AL, FL Panhandle	jim@bentonandassoc.com	205-664-1221	205-664-1277
	John Hart	FL	jhart@lascofittings.com	772-595-7773	772-489-4305
	Larry Perkins	TX - Southern	lperkins@lascofittings.com	936-443-1096	
	Marel Enterprises	New England, NY, DE, MD, VA, DC, parts of PA & WV	marelenterprise@gmail.com	631-271-1718	631-427-8558
	Marshall-Rodeno Associated	CO/WY/MT/ID-SE/UT/NV-NE	trodeno@marshallrodeno.com	303-575-6701	303-575-6706
	NSC Marketing Group Inc.	OK	nsc_tulsa@sbcglobal.net	918-627-5340	918-664-1408
	Pro Marketing, Inc.	NC/SC/TN-East	sales@promarketinginc.net	864-578-4334	864-578-4889
	Sherman Dobbs	TX - Northern	sdobbs@lascofittings.com	469-442-8510	972-417-9733
	Southern Marketing Group	MS/TN-West/AR/Bowie Cty.-TX	SMG49@bellsouth.net	901-547-0042	901-547-0035
	Spec Management Group	CA-South	msmarch4@cox.net	949-481-4225	949-487-0990
	VPC Sales	AZ	chudson@vpcsales.com	661-257-3923	661-257-3928
APOLLO FIRE PROTECTION SYSTEM SOLUTIONS	Brian Fiorisi	US	brian.fiorisi@conbraco.com	574-524-6675	
CANADA	Barclay Sales Ltd.	British Columbia	sales@barclaysales.com	604-945-1010	604-945-3030
	Conbraco Industries, Canada	178 Pennsylvania Ave., Unit 1, Concord, Ontario L4K 4B1	conbraco.canada@conbraco.com	905-761-6161	905-761-6666
	D & M Mechanical Sales	Ontario/East	don@dandmsales.ca	613-384-7084	613-384-3407
	Dynamic Agencies, Ltd.	Saskatchewan	doug.dynamicage@sasktel.net	306-343-1901	306-343-1901
	J. Levandier Sales, Inc.	Nova Scotia, New Brunswick, Prince Edward Island & Newfoundland	service@jlevandiersales.com	506-858-1615	506-858-1084
	Kern Industries, Ltd.	Alberta-North	kernind@telusplanet.net	780-451-2056	780-454-6687
	Kern Industries Calgary, Ltd.	Alberta-South	marty.yucytus@kernindustries.ca	403-730-7791	403-239-8179
	Key to the North Sales Agency, Inc.	Ontario-North	hmehes@keytothenorth.ca	705-524-6714	705-566-0148
	Task Controls, Inc.	Ontario	infotoronto@taskcontrols.com	416-291-3004	416-754-3481
	Tom Beggs Agencies Ltd.	Manitoba/NW Ontario	tba@mts.net	204-953-1900	204-774-6915
	Ventes Techniques Nimatec	Quebec	nimatec@nimatec.com	450-691-9427	450-691-4949