



FIRE VALVE

Specifications

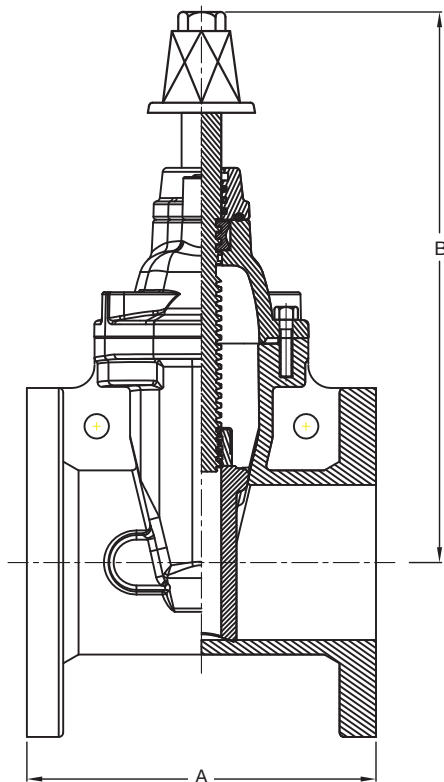
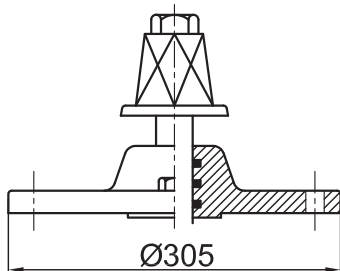
Fire Valve

ALL FIRE VALVE MANUFACTURED FOR AND BY SIGMA PIPING PRODUCTS CONFORM TO, COMPLY WITH, AND ARE MANUFACTURED TO THE FOLLOWING STANDARDS:

ASTM A 126 Class B	Standard spec for Cupola Cast Iron
ASTM A 536	Standard spec for Ductile Iron Gr. 65-45-12
ASTM A 307B	Standard spec for Carbon Steel Forgings
ASME B 62 C83600	Standard spec for Bronze Casting
ASME B 16 C36000	Standard spec for Brass Forging

Gate Valve NRS Flanged

- Design and dimensions conform to FM/UL and AWWA C515
- Specify MJ or Flanged when ordering
- Resilient Seated
- Fusion bonded epoxy coated interior and exterior-AWWA C550
- Valve is rated at 200 PSI for Fire Protection Service
- Flange to ANSI B16.1 Class 125. Other flange drilling available

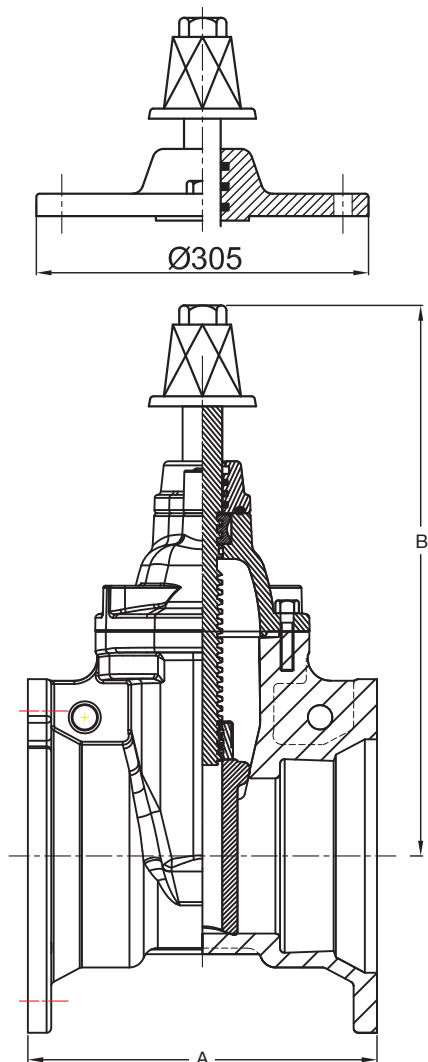


COMPONENTS	MATERIAL
Body	Ductile Iron ASTM A126 Class B
Wedge	Ductile Iron ASTM A126 Class B, EPDM Coated
Wedge Nut	Bronze ASTM B62 C83600
O-Ring	EPDM
Stem	Brass ASTM B16 C36000
Stem	Stainless Steel AISI 304
Gasket	EPDM
Bonnet	Ductile Iron ASTM A126 Class B
Washer	PTFE
Post Plate	Ductile Iron ASTM A536 Gr. 65-45-12

VALVE SIZE	ITEM CODE	DIMENSION (IN)	
		A	B
4"	UFP008	9"	12.5"
6"	UFP009	10.5"	17"
8"	UFP010	11.5"	21"
10"	UFP100F	13"	24.5"
12"	UFP120F	14"	28.25"

Gate Valve NRS Mechanical Joint

- Design and dimensions conform to FM/UL and AWWA C515
- Specify MJ or Flanged when ordering
- Resilient Seated
- Fusion bonded epoxy coated interior and exterior-AWWA C550
- Valve is rated at 200 PSI for Fire Protection Service
- Mechanical Joint ends conform to ANSI / AWWA, A21, 11 / C11



COMPONENTS	MATERIAL
Body	Ductile Iron ASTM A126 Class B
Wedge	Ductile Iron ASTM A126 Class B, EPDM Coated
Wedge Nut	Bronze ASTM B62 C83600
O-Ring	EPDM
Stem	Brass ASTM B16 C36000
Stem	Stainless Steel AISI 304
Gasket	EPDM
Bonnet	Ductile Iron ASTM A126 Class B
Washer	PTFE
Post Plate	Ductile Iron ASTM A536 Gr. 65-45-12

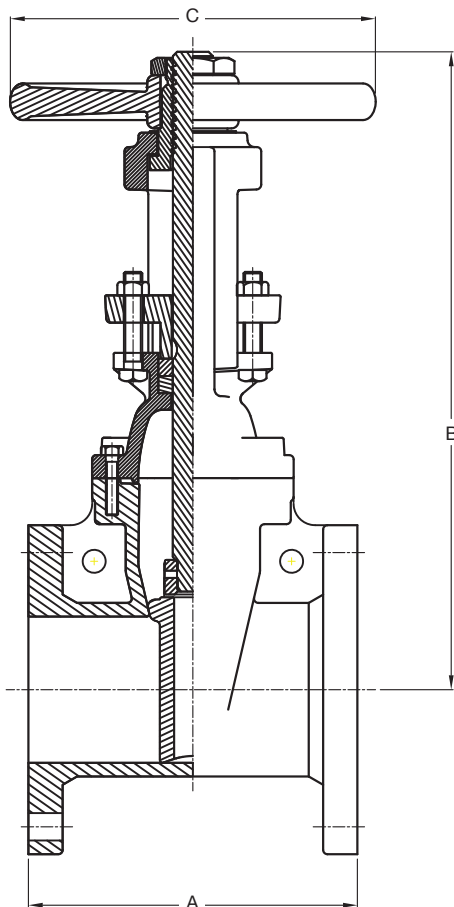
VALVE SIZE	ITEM CODE		DIMENSION (IN)	
	FLANGED	FLANGED X GROOVED	A	B
4"	UFP016	UFP016FG	9"	12.5"
6"	UFP017	UFP017FG	10.5"	17"
8"	UFP018	UFP018FG	11.5"	21"
10"	UFP100M	UFP100MFG	13"	24.5"
12"	UFP120M	UFP120MFG	14"	28.25"

Note:
Valves available with accessories. Add **WA** to the end of valve part number

FIRE VALVE

Gate Valve OS&Y Flanged

- Design and dimensions conform to FM/UL and AWWA C515
- Flanged and Grooved to ANSI B16.1 Class 125
- Fusion bonded epoxy coated interior and exterior-AWWA C550
- Valve is rated at 200 PSI for Fire Protection Service

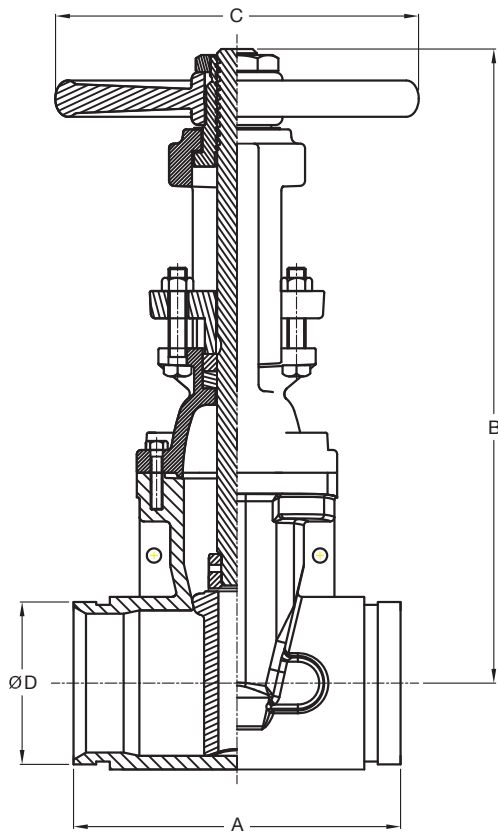


COMPONENTS	MATERIAL
Body	Ductile Iron ASTM A126 Class B
Wedge	Ductile Iron ASTM A126 Class B, EPDM Coated
Wedge Nut	Bronze ASTM B62 C83600
O-Ring	EPDM
Stem	Brass ASTM B16 C36000
Stem	Stainless Steel AISI 304
Gasket	EPDM
Bonnet	Ductile Iron ASTM A126 Class B
Washer	PTFE
Packing	Sq, Braided Non-Asbestos
Packing Gland	Ductile Iron ASTM A 126 Class B
Handwheel	Cast Iron ASTM A536 Gr. 65-45-12

VALVE SIZE	ITEM CODE	DIMENSION (IN)			
		A	B OPEN	B CLOSE	C
2-1/2"	UFP001	7.5"	15.5"	13"	7"
3"	UFP002	8"	19.5"	16"	8"
4"	UFP003	9"	21.75"	17.75"	10"
6"	UFP004	10.5"	29.5"	24.25"	12"
8"	UFP005	11.5"	37.25"	29"	14"
10"	UFP006	13"	44"	33.75"	16"
12"	UFP007	14"	52.25"	40"	18"

Gate Valve OS&Y Grooved

- Design and dimensions conform to FM/UL and AWWA C515
- Flanged and Grooved to ANSI B16.1 Class 125
- Fusion bonded epoxy coated interior and exterior-AWWA C550
- Valve is rated at 200 PSI for Fire Protection Service
- Grooved Ends AWWA C606



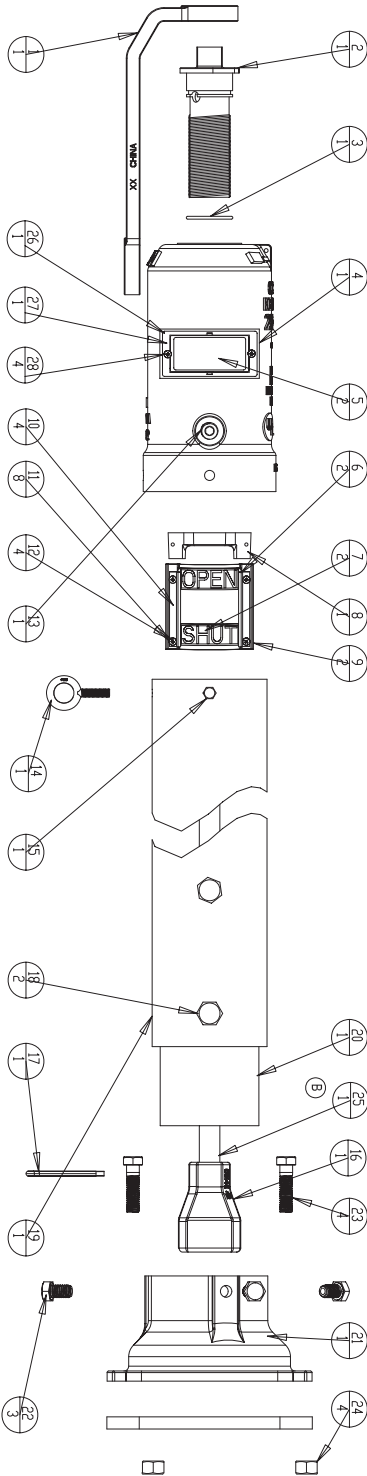
COMPONENTS	MATERIAL
Body	Ductile Iron ASTM A126 Class B
Wedge	Ductile Iron ASTM A126 Class B, EPDM Coated
Wedge Nut	Bronze ASTM B62 C83600
O-Ring	EPDM
Stem	Brass ASTM B16 C36000
Stem	Stainless Steel AISI 304
Gasket	EPDM
Bonnet	Ductile Iron ASTM A126 Class B
Washer	PTFE
Packing	Sq, Braided Non-Asbestos
Packing Gland	Ductile Iron ASTM A 126 Class B
Handwheel	Cast Iron ASTM A536 Gr. 65-45-12

VALVE SIZE	ITEM CODE	DIMENSION (IN)				
		A	B OPEN	B CLOSE	C	D
2-1/2"	UFP001GG	7.5"	15.5"	13"	7"	2.95"
3"	UFP002GG	8"	19.5"	16"	8"	3.5"
4"	UFP003GG	9"	21.75"	17.75"	10"	4.5"
6"	UFP004GG	10.5"	29.5"	24.25"	12"	6.5"
8"	UFP005GG	11.5"	37.25"	29"	14"	8.85"
10"	UFP006GG	13"	44"	33.75"	16"	10.75"
12"	UFP007GG	14"	52.25"	40"	18"	12.75"

FIRE VALVE

Indicator Post Adjustable Vertical

- UL Listed and FM Approved
- Will accommodate 4" through 14" PIV
- 4 Sizes available



SIZE	ITEM CODE	LOWER STAND PIPE	SQUARE STEM
A	D-UFP011-36	36"	72"
B	D-UFP011-60	60"	88"
C	D-UFP011-80	80"	100"
D	D-UFP011-100	100"	120"

Nominal Trench Depths for Resilient Wedge PIV

VALVE SIZE	SIZE A		SIZE B		SIZE C		SIZE D	
	MIN	MAX	MIN	MAX	MIN	MAX	MIN	MAX
4"	31"	51"	49"	69"	67"	87"	88"	111"
6"	35"	55"	53"	73"	71"	91"	98"	115"
8"	42"	62"	60"	80"	78"	98"	99"	122"
10"	45"	65"	63"	83"	81"	101"	102"	125"
12"	49"	69"	67"	87"	85"	105"	106"	129"
14"	58"	78"	76"	96"	94"	114"	115"	138"

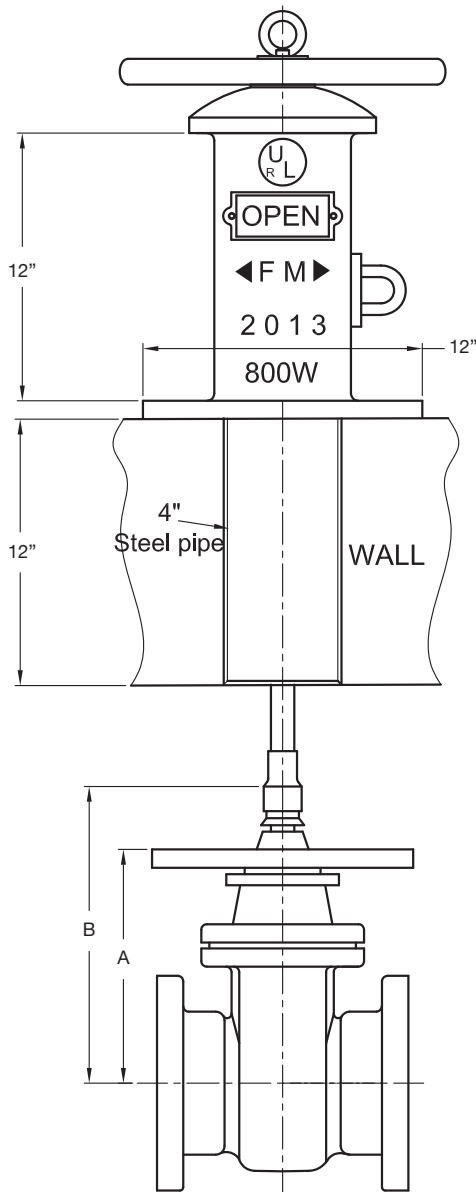
NO.	PART NUMBER	QTY	DESCRIPTION	MATERIAL
1	D-UFP011LW	1	Locking Wrench	Cast Iron
2	D-UFP011ON	1	Operating Nut	Bronze
3	D-UFP011RR	1	Retainer Ring	Buna N
4	D-UFP011TOP	1	Top Section	Cast Iron
5	D-UFP011G	2	Window Glass	Lexan-UV
6	D-UFP011SPO	1	Open Target	Cast Al
7	D-UFP011SPS	1	Shut Target	Cast Al
8	D-UFP011TCN	1	Target Carrier Nut	Bronze
9	D-UFP011CP	2	Target Carrier Plate	Sheet Metal
10	D-UFP011CTR	4	Clamp Target Retainer	S Steel
11	D-UFP011PH	8	M5 Pan Head	S Steel
12	D-UFP011HN24	4	M5 Hex Nut	Steel, Zinc Pl.
13	D-UFP011PP	1	1/2" NPT Pipe Plug	Mall. Iron
14	D-UFP011EB	1	3/8" Eye Bolt #23	Steel, Zinc Pl.
15	D-UFP011HCS38	1	3/6-16 X 1 Hex Cap Screw	Steel, Zinc Pl.
16	D-UFP011CC	1	Crane Coupling	Cast Iron
17	D-UFP011CP	1	Cotter Pin	S Steel
18	D-UFP011HS34	2	3/4 Hex Screw	S Steel
19	D-UFP011TB	1	Telescoping Barrel	Cast Iron
20	D-UFP011S	1	Lower Stand Pipe	Ductile Iron CI 52
21	D-UFP011BF	1	Base Flange	Cast Iron
22	D-UFP011HS58	3	5/8 X 1 Hex Head Screw	Steel, Zinc Pl.
23	D-UFP011HSC58	3	5/8 X 2 1/4 Hex	Steel, Zinc Pl.
24	D-UFP011HN58	4	5/8 Hex Nut	Steel, Zinc Pl.
25	D-UFP011SS	1	1" Square Stem	Steel 1020 HRS
26	D-UFP011COV	1	SS Cover	S Steel
27	D-UFP011EVA	2	EVA Foam Gasket	EVA
28	D-UFP011M5	4	M5 Screw	S Steel

Note:

1. Installation instruction on P.80

Indicator Post Wall

- Remove the Top Section from the top indicator post assembly
- Set the OPEN and SHUT targets for appropriate size
- FM Approved and UL Listed
- Depressurize and drain the piping system before attempting to install, remove, adjust, or maintain piping products



COMPONENTS	MATERIAL
Eye Bolt	Carbon Steel ASTM A307B
Hex Nut	Carbon Steel ASTM A307B
Washer	Carbon Steel ASTM A570 Gr. 33
Handwheel	Ductile Iron ASTM A536 Gr. 65-45-12
Hex Cap Screw	Carbon Steel ASTM A307B
Square Nut	Carbon Steel ASTM A307B
Snap Ring	Stainless Steel AISI 1066
Cover	Cast Iron ASTM A126 Class B
Operating Nut	Bronze ASTM B62 C83600
Operating Nut	Stainless Steel AISI 304
Target Carrier Nut	Bronze ASTM B62 C83600
Target Carrier Nut	Stainless Steel AISI 304
Window Glass	Plexiglass
Gasket	PTFE
Hex Nut	Carbon Steel ASTM A307B
Plug	Malleable Iron
Target	Cast Aluminum
Hex Cap Screw	Carbon Steel ASTM A307B
Hex Nut	Carbon Steel ASTM A307B
Body	Cast Iron ASTM A126 Class B
Stem	Carbon Steel ASTM 1045
Crane Coupling	Ductile Iron ASTM A536 Gr. 65-45-12
Cotter Pin	Stainless Steel AISI 304

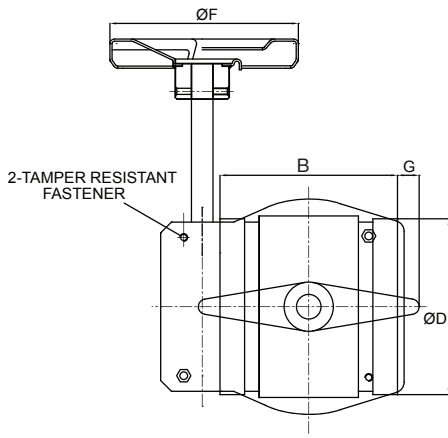
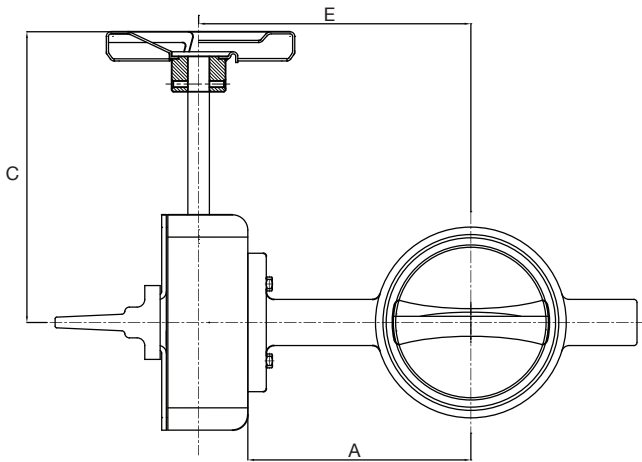
VALVE SIZE	ITEM CODE	DIMENSION (IN)		EXT. ROD LENGTH
		A	B	
4" - 12"	UFP0012	9.56	13.63	3"

Note:

1. Used for applications where a valve is installed behind a wall.
2. The wall flange of the wall type Indicator Post is tapped for 4" schedule 40 steel pipe which extends through the wall.
3. Handwheel operation.
4. Installation instruction on P.80

Butterfly Valve Grooved End

- Size: 2 1/2 through 8
- Working Pressure: 300psi (21.5 bars)
- Max. Test Pressure: 600psi (43.0 Bars)
- Working Temperature: 250F (120°C)
- Tampered Switch for Indoor and Outdoor use
- Meets MSS SP67 & AWWA C606
- Top Flange ISO 5211

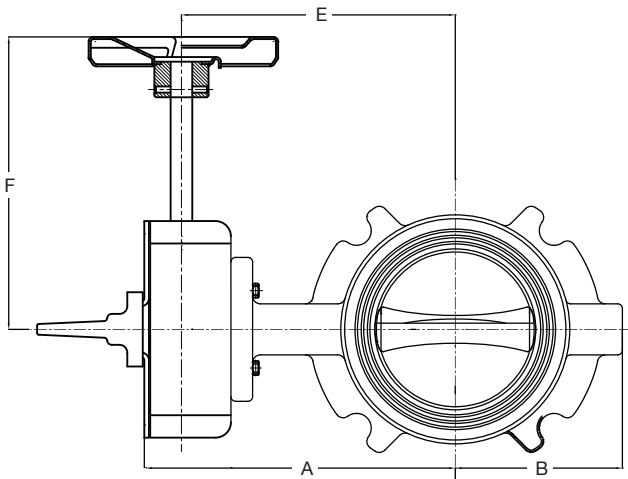


COMPONENTS	MATERIAL
Body	Ductile Iron, ASTM A536, Nylon-11 Coated
Disc	Ductile Iron ASTM B 148, EPDM Rubber Encapsulated
Stem	Stainless Steel, Hardened & Tempered
Housing	Ductile Iron (ASTM A-536)
Handwheel	Ductile Iron (ASTM A-536)

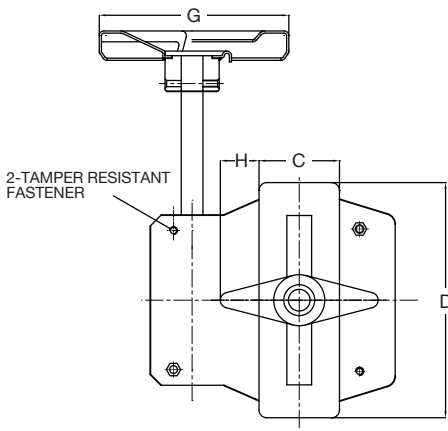
VALVE SIZE	ITEM CODE	DIMENSION (IN)						
		A	B	C	D	E	F	G
2 1/2"	UFP025SGB	4.48"	1.75"	4.24"	2.88"	5.50"	3.90"	4.13"
3"	UFP026SGB	4.73"	1.75"	4.24"	3.50"	5.76"	3.90"	4.13"
4"	UFP027SGB	5.73"	1.75"	4.24"	4.50"	6.75"	3.90"	4.13"
6"	UFP028SGB	7.07"	2.11"	5.79"	6.63"	8.45"	4.29"	4.88"
8"	UFP029	8.03"	5.80"	8.19"	8.62"	9.29"	8.86"	9.50"

Butterfly Valve Wafer End

- Size: 2 1/2 through 8
- Working Pressure: 300psi (21.5 bars)
- Max. Test Pressure: 600psi (43.0 Bars)
- Working Temperature: 250F (120°C)
- Tampered Switch for Indoor and Outdoor use
- Meets MSS SP67 & AWWA C606
- Top Flange ISO 5211



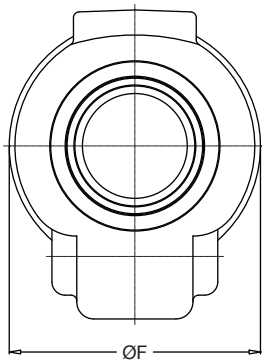
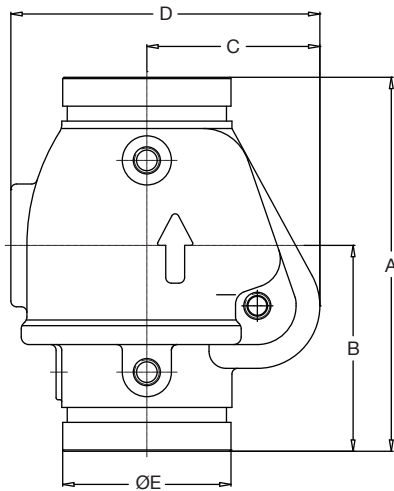
COMPONENTS	MATERIAL
Body	Ductile Iron, EPDM Encapsulated
Disc	Al-Bronze, Ni-Cr Plated
Stem	Stainless Steel, Hardened & Tempered
Housing	Ductile Iron (ASTM A-536)
Handwheel	Ductile Iron (ASTM A-536)



VALVE SIZE	ITEM CODE	DIMENSION (IN)							
		A	B	C	D	E	F	G	H
2 1/2"	UFP030	4.72"	3.35"	1.93"	4.57"	5.91"	5.91"	4.92"	0.37"
3"	UFP031	5.00"	3.62"	1.93"	5.20"	6.18"	6.61"	4.92"	0.63"
4"	UFP032	5.71"	4.25"	2.17"	5.98"	6.89"	6.61"	4.92"	0.98"
6"	UFP033	7.09"	5.71"	2.32"	8.15"	8.27"	8.19"	8.86"	1.78"
8"	UFP034	8.03"	6.69"	2.48"	10.31"	9.21"	8.19"	8.86"	2.70"

Swing Check Valve Grooved

- Size: 2" through 6"
- Working Pressure: 300psi (21.5 bars)
- Max. Test Pressure: 600psi (43.0 Bars)
- Working Temperature: 250F (120°C)
- Install in Both Horizontal or Vertical Position
- Groove Ends AWWA C606
- Coatings: AWWA C550

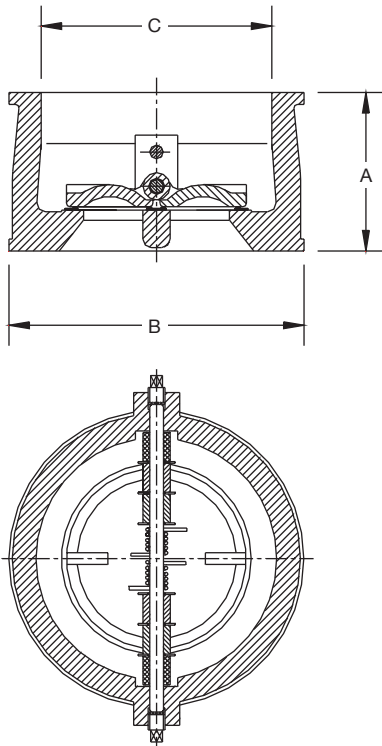


COMPONENTS	MATERIAL
Seat Ring	Brass (ASTM C37700)
Rubber Ring	EPDM
Hinge Pin	Stainless Steel (ASTM A-240-304)
Body	Ductile Iron (ASTM A-536)
Clapper	Stainless Steel (ASTM A-240-304)
Spring	Stainless Steel (ASTM A-240-304)

VALVE SIZE	ITEM CODE	DIMENSION (IN)			
		A	B	C	D
2"	UFP042	6.34"	3.54"	2.80"	5.02"
2-1/2"	UFP043	7.06"	3.91"	3.19"	5.71"
3"	UFP044	7.80"	4.29"	3.61"	6.44"
4"	UFP045	8.62"	4.06"	4.25"	7.71"
6"	UFP046	10.38"	5.12"	5.43"	9.56"

Check Valve Double Door

- Stainless steel disc and spring for excellent corrosion resistance
- Flanged to ANSI B16.1 Class 125
- Coating: AWWA C550



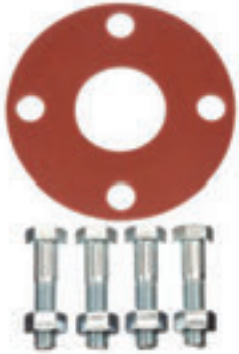
COMPONENTS	MATERIAL
Body	Cast Iron ASTM A126 Class B
Stop Pin	Stainless Steel AISI 416
Hinge Pin	Stainless Steel AISI 416
Seat	EPDM
Pin Retainer	Stainless Steel AISI 416
Gasket	ETFE
Washer	ETFE
Spacer	ETFE
Disc	Stainless Steel ASTM CF8
Spring	Stainless Steel AISI 304
Lifting Hook	Carbon Steel
Lifting Hook	(Only for 8")

PRESSURE AND TEMPERATURE	
175 PSI	NOMINAL PRESSURE
350 PSI	HYDRAULIC SHELL PRESSURE
350 PSI	HYDRAULIC SEAT TEST PRESSURE

VALVE SIZE	ITEM CODE	DIMENSION (IN)		
		A	B	C
4"	UFP013	3 11/16"	6 3/4"	5 3/8"
6"	UFP014	4 1/8"	8 11/16"	7"
8"	UFP015	4 3/4"	11"	9 1/16"

Flange Pack

Packs with Red Rubber FULL FACE Gaskets and ZINC Hardware



SIZE	1/8" GASKET	1/16" GASKET	BOLT SIZE	HARDWARE TYPE	NO. OF BOLT
2"	FGP08-02Z	FGP16-02Z	5/8" X 2 1/2"	ZINC	4
2.5"	FGP08-025Z	FGP16-025Z	5/8" X 2 1/2"	ZINC	4
3"	FGP08-03Z	FGP16-03Z	5/8" X 2 1/2"	ZINC	4
4"	FGP08-04Z	FGP16-04Z	5/8" X 3"	ZINC	8
5"	FGP08-05Z	FGP16-05Z	3/4" X 3"	ZINC	8
6"	FGP08-06Z	FGP16-06Z	3/4" X 3 1/2"	ZINC	8
8"	FGP08-08Z	FGP16-08Z	3/4" X 3 1/2"	ZINC	8
10"	FGP08-10Z	FGP16-10Z	7/8" X 4"	ZINC	12
12"	FGP08-12Z	FGP16-12Z	7/8" X 4"	ZINC	12

Flange Pack

Packs with Red Rubber RING Gaskets and ZINC Hardware



SIZE	1/8" GASKET	1/16" GASKET	BOLT SIZE	HARDWARE TYPE	NO. OF BOLT
2"	FRP08-02Z	FRP16-02Z	5/8" X 2 1/2"	ZINC	4
2.5"	FRP08-025Z	FRP16-025Z	5/8" X 2 1/2"	ZINC	4
3"	FRP08-03Z	FRP16-03Z	5/8" X 2 1/2"	ZINC	4
4"	FRP08-04Z	FRP16-04Z	5/8" X 3"	ZINC	8
5"	FRP08-05Z	FRP16-05Z	3/4" X 3"	ZINC	8
6"	FRP08-06Z	FRP16-06Z	3/4" X 3 1/2"	ZINC	8
8"	FRP08-08Z	FRP16-08Z	3/4" X 3 1/2"	ZINC	8
10"	FRP08-10Z	FRP16-10Z	7/8" X 4"	ZINC	12
12"	FRP08-12Z	FRP16-12Z	7/8" X 4"	ZINC	12