

Now available  
with integral  
plumbers unions!

## Double Check Valve Backflow Prevention Assembly Sizes 3/4" - 1" - 1 1/2" - 2"

### FEATURES

Replaceable springs and seats.

Smooth transition from low to high flow rates.

Low head loss throughout operating range.

Rugged construction for long, dependable service.

Easy in-line maintenance.

Ball type shut-off valves (standard).

Test cocks for in-line field testing.

Integral plumbers unions available to ease installation.

Hot water approved up to 210°F.

Approvals (3/4, 1 1/2, 2) by: USC, CSA B64.5, ASSE 1015, AWWA C510; IAPMO listed; UL, ULC classified.

### DESCRIPTION

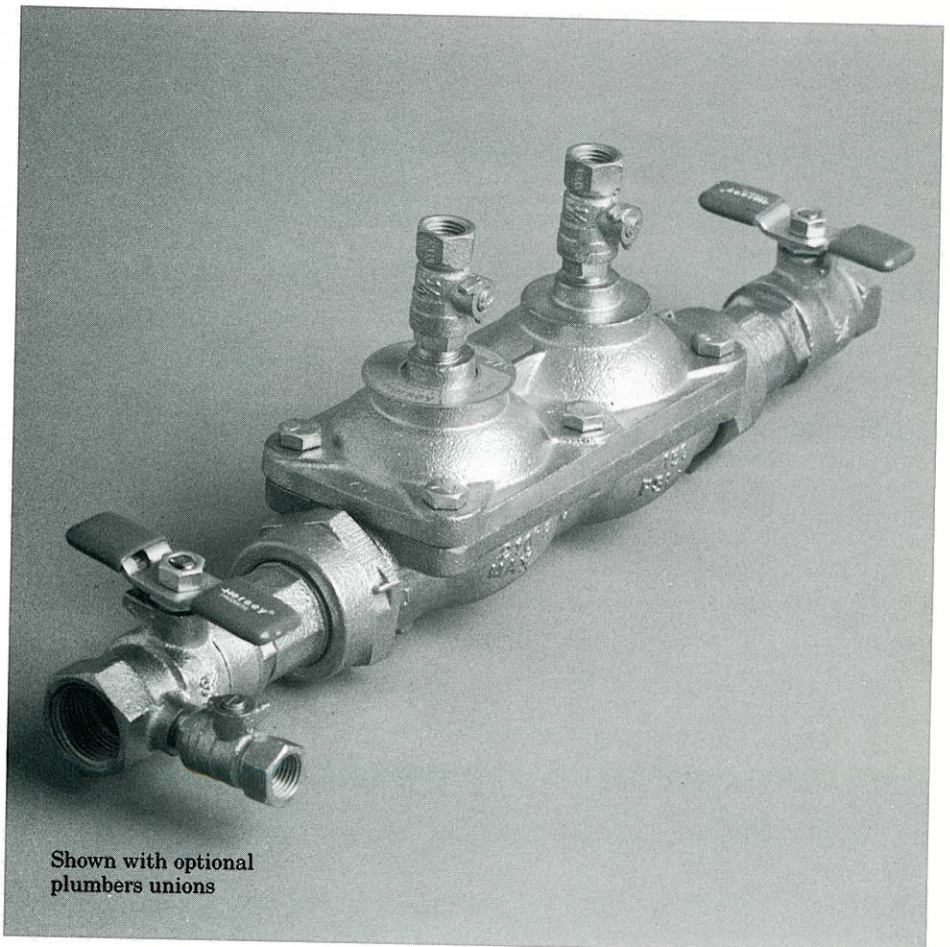
The Hersey Model FDC Double Check Valve Backflow Prevention Assembly consists of two independent spring loaded poppet-type check valve assemblies mounted in a common body. Two isolation valves and four test cocks for field testing complete the basic features. The valve assemblies are of modular design and easily removed from the top of the device for in-line servicing.

### OPERATION

In normal operation, the independent, spring loaded check valves remain closed until there is a demand for water. Each of the two check valves in series is designed to open at one (1) psi pressure differential in the direction of flow. In the event pressure increases downstream of the unit, tending to reverse direction of flow, both check valves are closed to prevent backflow. If the second check valve is prevented from closing tightly, the first check valve will still provide protection from a backflow condition.

### APPLICATION

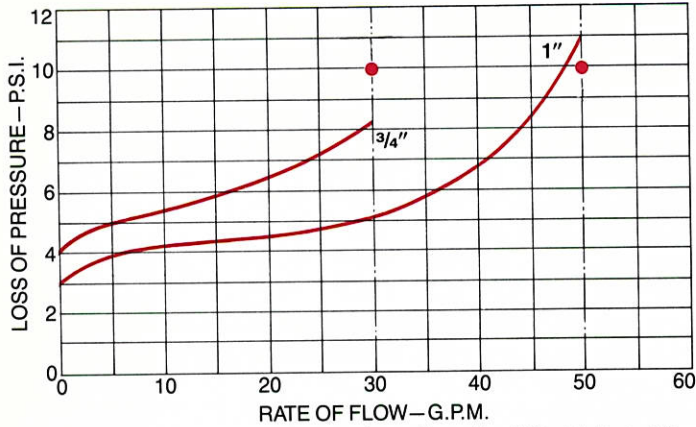
For use at cross-connections when the danger from backflow does not present a health-hazard. The FDC may be installed in a horizontal or vertical position. Vertical installation is recommended only when the flow of water is upward.



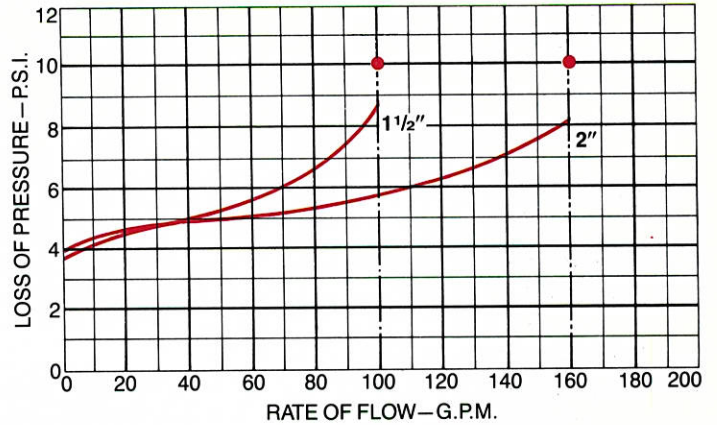
Shown with optional  
plumbers unions

## PERFORMANCE (Performance curves are typical only and not a guarantee of performance)

### Head Loss - 3/4" and 1"



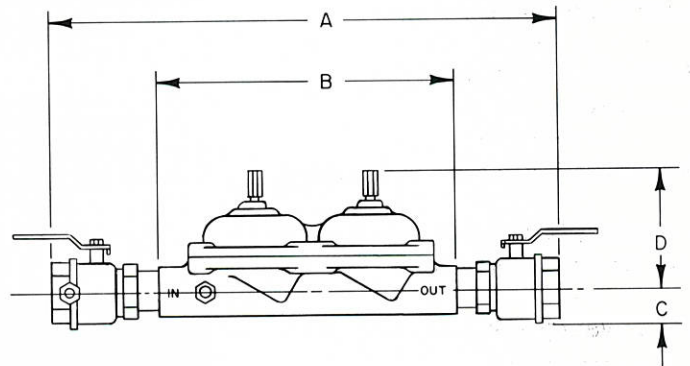
### Head Loss - 1 1/2" and 2"



NOTE: ● Maximum Allowable Pressure Loss allowed by USC at indicated flow.

## DIMENSIONS

SIZE	3/4"	1"	1 1/2"	2"
A - WO/Unions	14 1/4"	15 1/4"	20 1/4"	23 1/4"
A - W/Unions	15 3/4"	17 1/2"	—	—
B	8"	8"	11"	12 3/8"
C	7/8"	7/8"	1 1/4"	1 1/2"
D	4 1/16"	5"	6"	7 1/4"
Max. Width	5"	5"	6 5/8"	6 5/8"
Size Test Cocks	1/4"	1/4"	1/4"	1/4"



Device shown without plumbers unions

## WEIGHTS

SIZE	3/4"	1"	1 1/2"	2"
Net Wt. WO/Valves, Lbs.	6	6	15	21
Net Wt. W/Valves, Lbs.	8	9	22	32
With Plumbers Unions	9	10	—	—
Gross Wt. WO/Valves, Lbs.	7	7	19	23
Gross Wt. w/Valves, Lbs.	9	10	26	38
With Plumbers Unions	10	11	—	—

## MATERIALS AND SPECIFICATIONS

Mainline case ..... bronze  
 Check valve enclosures ..... glass reinforced plastic  
 Springs ..... stainless steel  
 Valve discs ..... silicone

Maximum rated working pressure ..... 150 psi  
 Temperature range ..... 33° - 210° F