

Manufactured by Conbraco Industries, Inc.

AIR GAP DRAIN (AGD)

For installation with Apollo's:
 Reduced Pressure Principle (RP) and
 Reduced Pressure Detector Assembly
 Backflow Preventers

Model RP4A 10" & 12"
 Model RPDA4A 10" & 12"
 Model RPDA2 4A 10" & 12"

Model RP4AN 10" & 12"
 Model RPDA4AN 10" & 12"
 Model RPDA2 4AN 10" & 12"

DESCRIPTION

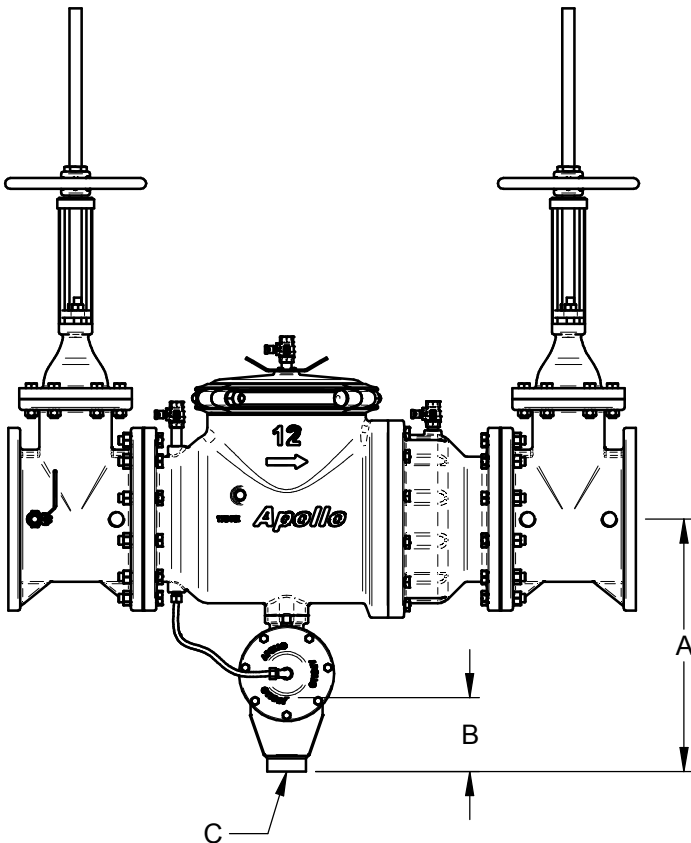
The Apollo Air Gap Drain (AGD) is designed to funnel minor relief valve (RV) discharges due to line pressure fluctuations and/or minor check valve fouling into the drainage system.

NOTES:

Drainage piping is easily attached to the threaded portion of the AGD. The Female NPT size is listed in the table under "EXIT PIPING THREADS C". The AGD is epoxy-coated steel. The OD is listed in the table under "OD OF C".

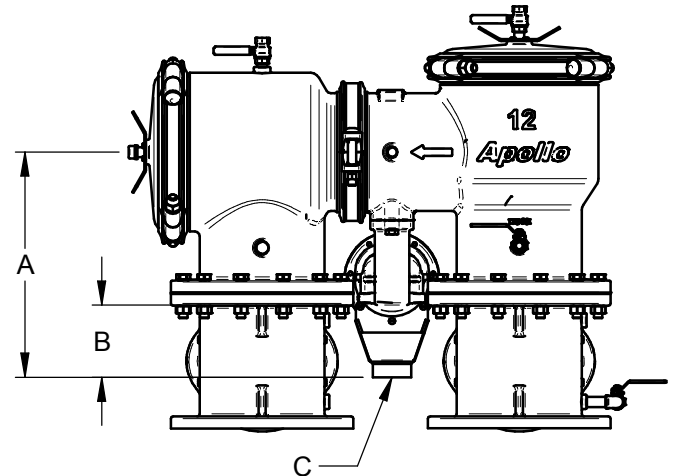
NOTE: Use care when installing excess piping or using bends or elbows which induce any side load or bending. Pipe hangers should be used to support attached piping.

NOTE: The AGD is not designed to collect the full discharge capacity of the relief valve.



4A SERIES

MODEL	A	B	EXIT PIPING THREADS C	OD OF C
RP4A	26.3	7.7	3" FNPT	4" PIPE
RP4AN	23.4	7.7	3" FNPT	4" PIPE



4AN SERIES

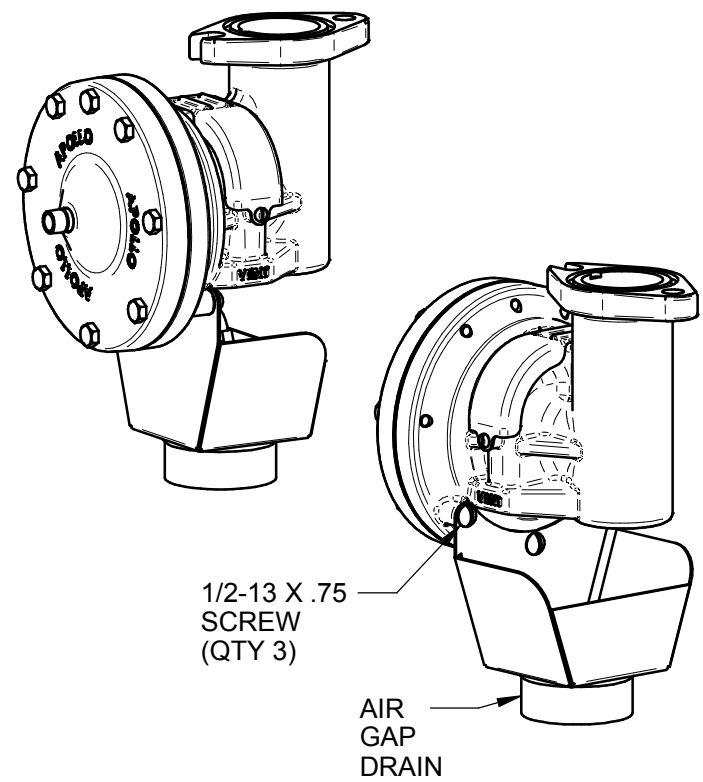
NOTE: Isolate the RP device from line pressure and relieve internal pressure before installing the Air Gap Drain.

Tools required for AGD4A12IN installation: Slotted screwdriver and 3/4" box wrench.

For these models **ONLY:**

- RP4A 10" & 12"
- RPDA4A 10" & 12"
- RPDA24A 10" & 12"
- RP4AN 12"
- RPDA4AN 12"
- RPDA24AN 12"

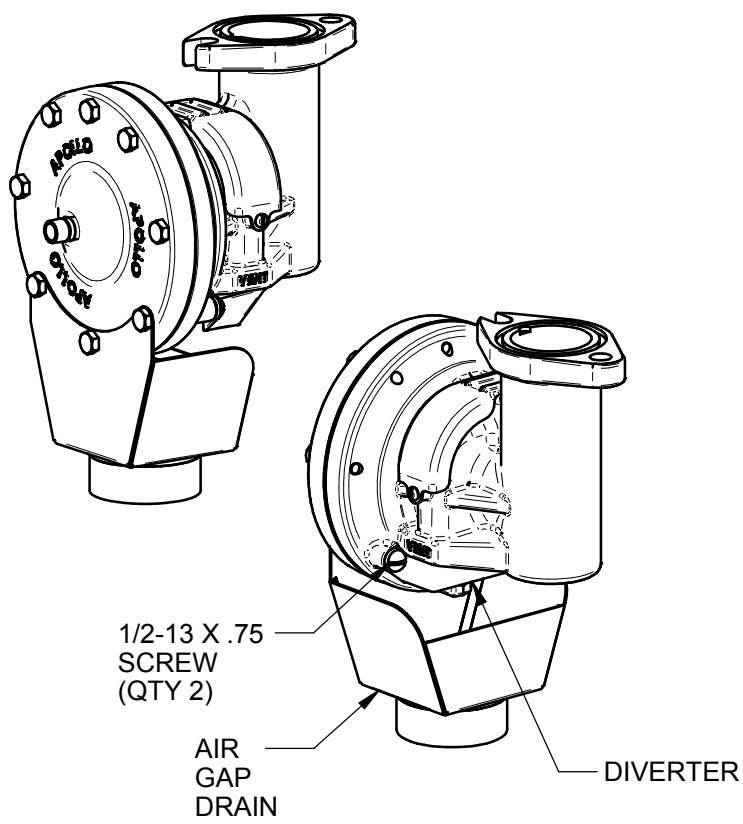
1. Align the AGD over the threaded holes from the vent side as shown. Install provided screws to hold the AGD in place.
2. Tighten the screws with a slotted screwdriver until snug. **DO NOT OVERTIGHTEN.**
3. Re-establish line pressure within the RP and check for leaks.
4. Hand thread the drainage piping into the AGD. See the table for the appropriate OD.



For these models **ONLY:**

- RP4AN 10"
- RPDA4AN 10"
- RPDA24AN 10"

1. Remove bolts on RV cover at 5, 6, and 7 o'clock locations.
2. Install AGD on front of RV cover as shown. Re-install bolts and secure AGD.
3. Install diverter over threaded holes on vent side of RV with two (2) slotted head screws.
3. Re-establish line pressure within the RP and check for leaks.
4. Hand thread the drainage piping into the AGD. See the table for the appropriate OD.



PROPOSITION 65 WARNING: This product contains a chemical known to the state of California to cause birth defects or other reproductive harm.

INSTALLER: California law requires that this warning be given to the consumer.