

Job Name:	Contractor:
Job Location:	P.O. Number:
Engineer:	Representative:
Tag:	Wholesale Distributor:

DESCRIPTION

The Apollo® Model DC4SG, DC4SGN Double Check Valve is designed to prevent contamination of the potable water supply due to back-siphonage or backpressure from substances that are non-health hazards. The modular check valves have replaceable seats and reversible EPDM seat discs. Grooved connections on an epoxy-coated ductile iron body allow for easy connection to butterfly valves or gate valves. *Note: Model DC4SG replaces Model 4S-100 (also known as Model DC) in all sizes except 10".*

FEATURES

- Lightweight
- Short lay length
- Low pressure loss
- Modular check valves
- Individual access to check valves
- Corrosion resistant epoxy-coated ductile iron body
- US Patents #5,711,341 and #6,343,618
- MADE IN THE USA



MATERIAL SPECIFICATIONS

Part Name	Material
Body	Epoxy-coated (FDA) Ductile Iron
Covers (2 1/2"-6")	Epoxy-coated (FDA) Steel
Covers (8")	Epoxy-coated (FDA) Ductile Iron
Elbows	Epoxy-coated (FDA) Ductile Iron
Check Valves (2 1/2"-6")	Glass-Filled Noryl®
Check Valves (8")	Bronze
Springs	Stainless Steel
Seat Discs	Chloramine-resistant EPDM

PERFORMANCE RATING

Maximum Working Pressure 175 psi
Temperature Range 33 ° F – 140 ° F
Hydrostatic Test Pressure 350 psi

APPROVALS

ASSE 1015, IAPMO, CSA B64.5, UL*, FM*, AWWA C-510, and USC's FCCC&HR. All approvals in horizontal and vertical flow-up configurations.

*UL and FM installations must include indicating-type shut-off valves.



ORDERING INFORMATION

4SG – 1 X X – 0 X X

STRAINER OPTION SIZE

FLOW (OPTIONAL) SHUT-OFF VALVES

Y-STRAINER

- 0 – None (Standard)
- 1 – With Y-Strainer (Flanged only, shipped loose)

SIZE

- 9 – 2 1/2" C – 6"
- 0 – 3" E – 8"
- A – 4"

SHUT-OFF VALVES (Inlet x Outlet)

- 1 – Less Shut-off Valves (see notes)
- 2 – NRS Flg x NRS Flg
- 3 – OS&Y Flg x OS&Y Flg
- 4 – OS&Y Flg x Monitored (Mon.) Butterfly Vlv Grv
- 6 – OS&Y Flg x Post Indicator Flg (Not in 2 1/2" size)
- 7 – OS&Y Flg x OS&Y Grv
- 8 – OS&Y Grv x OS&Y Grv
- 9 – Mon. Butterfly Vlv Grv x Mon. Butterfly Vlv Grv
- 10 – OS&Y Flg x Post Indicator Grv (Not in 2 1/2" size)
- 11 – NRS Grv x NRS Grv
- 12 – NRS Flg x NRS Grv

FLOW

- N – Model DC4SGN

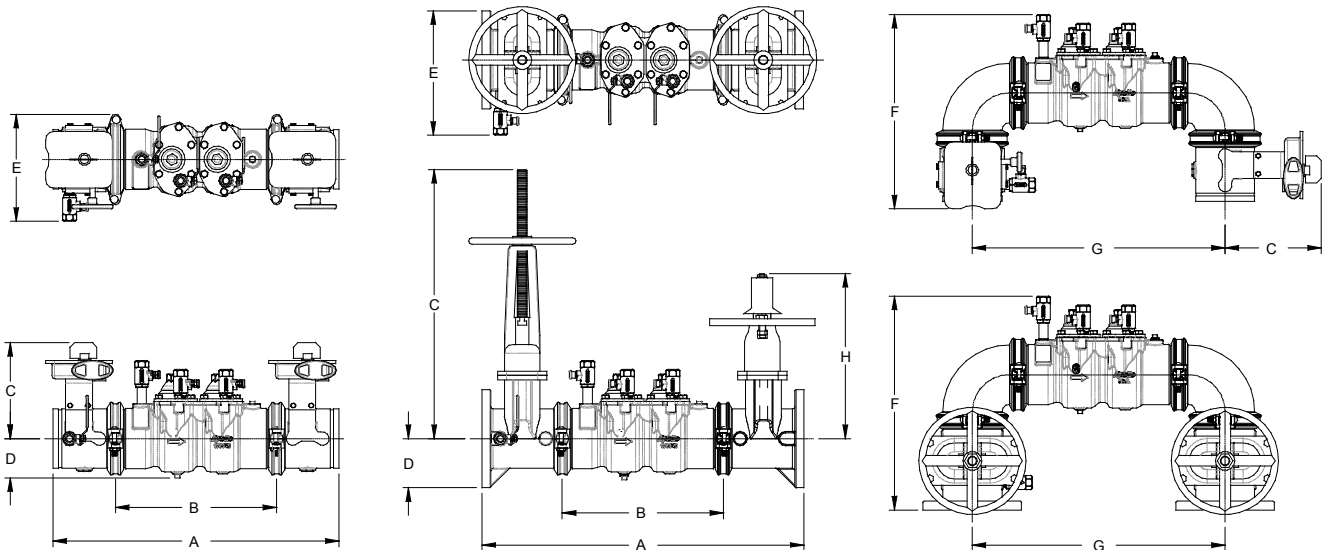
Example: 4SG-10A-07 = 4" size with OS&Y flanged x grooved shut-off valves (shown above).

DIMENSIONS (in.) – WEIGHTS (lbs.)

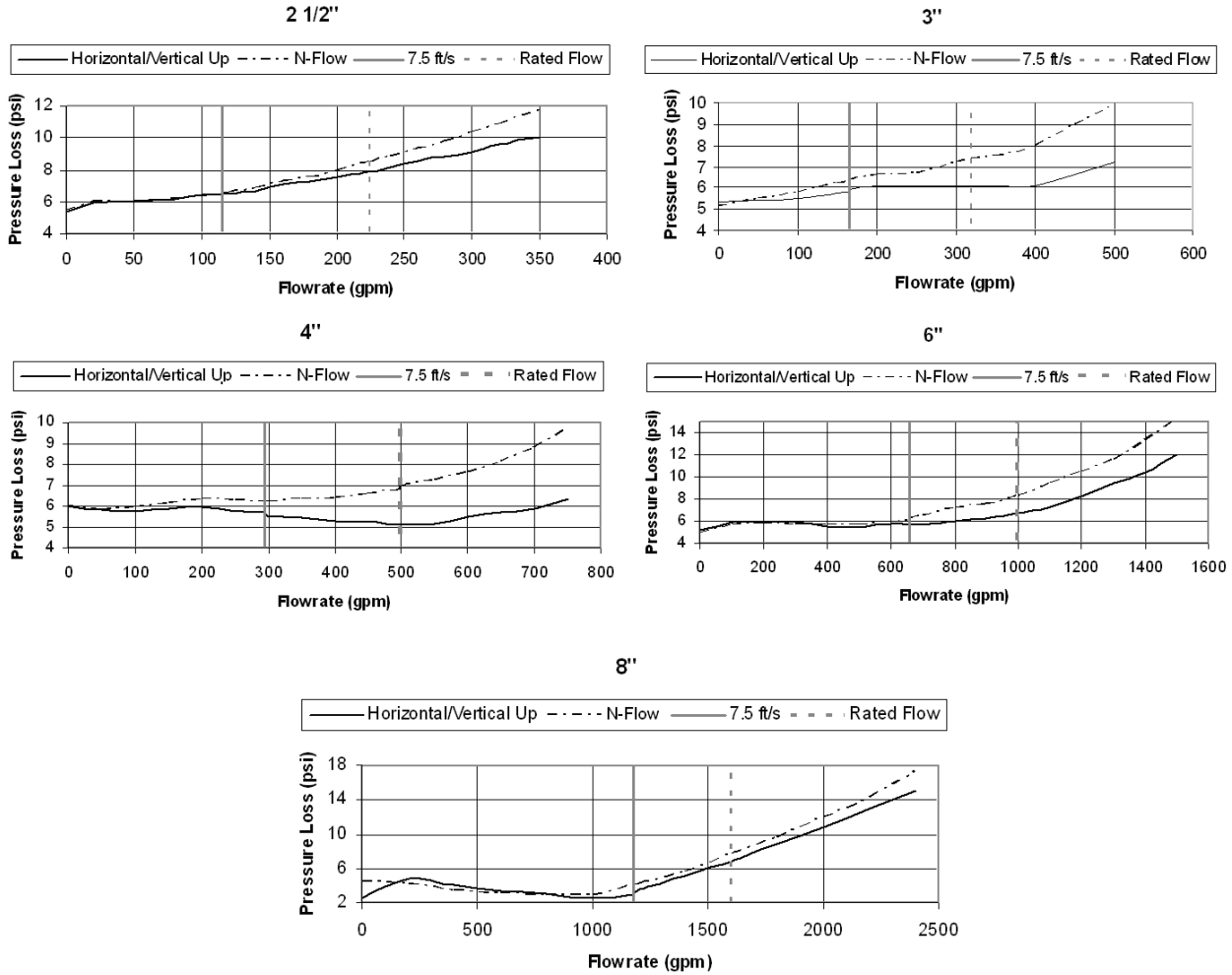
Size	2 ½"	3"	4"	6"	8"
A (Butterfly Valves)*	29	29 ½	29 ¾	32 ½	43
A (Gate Valves)*	32	33	34 ½	39	50
B (Grooved-end body)	17	17	16 ½	18	27
C (Butterfly Valves)	8	8 ½	9 ¼	10 ¼	12
C (OS&Y Open)	16 ¾	18 ⅞	22 ¾	30 ⅞	37 ¾
D (Butterfly Valves)	4 ½	4 ½	4 ½	4 ½	6 ½
D (Gate Valves)	3 ½	3 ¾	4 ½	5 ½	6 ¾
E (Butterfly Valves)	9	9	9 ½	12	15
E (Gate Valves)	9 ⅝	10 ⅜	11 ⅞	14 ⅝	16 ¾
F (Butterfly Valves)	18 ½	19 ¼	20 ¾	22 ½	31
F (Gate Valves)	20	21	23	26	34 ¾
G	23	23 ¾	24 ½	29	40 ¾
H (Post Indicator)	Not Avail.	12 ⅜	14 ¾	19	22 ½
Test Cocks (NPT)	½	½	½	¾	¾
Net Wt. (Less Valves)	53	53	53	60	375
Net Wt. (w/ Butterfly Valves)	80	83	97	128	506
Net Wt. (w/ OS&Y Gate Valves)	149	174	208	309	852

Notes:

- Nominal dimensions are shown. Allowances must be made for manufacturers' tolerances.
- Internal body connections are grooved on 2 ½" – 8" sizes.



FLOW CURVES



Notes:

1. Flow curves directly reflect data collected by USC's Foundation for Cross-Connection Control and Hydraulic Research Approval curve documents.
2. Flow curves shown were recorded with butterfly shut-off valves.*
3. All data points are based on USC increasing flow data, from zero GPM to rated flow (opening curve).
4. Refer to Apollo Model DC4S (Formerly 4S-100 Series) for 10" valve information.

* Flow curves with gate valves are slightly lower. Contact factory for more information.