

Model DCDA4S DOUBLE CHECK DETECTOR ASSEMBLY

| | |
|---------------|------------------------|
| Job Name: | Contractor: |
| Job Location: | P.O. Number: |
| Engineer: | Representative: |
| Tag: | Wholesale Distributor: |

DESCRIPTION

The Apollo® Model DCDA4S Double Check Detector Assembly (Formerly Model DCDA) is designed to prevent contamination of the potable water supply due to back-siphonage or backpressure from substances that are non-health hazards. The device consists of a mainline double check valve with a by-pass line. The by-pass consists of a water meter and an approved Apollo® double-check valve with Apollo® ball valves as shut-offs. The by-pass serves to measure water use of up to 3 gpm.

FEATURES

- Lightweight
- Short lay length
- Low pressure loss
- Modular check valves
- Individual access to check valves
- Corrosion resistant epoxy-coated ductile iron body
- US Patents #5,711,341 and #6,343,618
- MADE IN THE USA



MATERIAL SPECIFICATIONS

| Part Name | Material |
|--------------------|------------------------------------|
| Body (mainline) | Epoxy-coated (FDA) Ductile Iron |
| Bypass DC | Bronze |
| Covers (10") | Epoxy-coated (FDA) Ductile Iron |
| Check Valves (10") | Bronze |
| Springs | Stainless Steel |
| Seat Discs | Chloramine-resistant EPDM |

PERFORMANCE RATING

Maximum Working Pressure 175 psi
Temperature Range 33 ° F – 140 ° F
Hydrostatic Test Pressure 350 psi

APPROVALS

ASSE® 1048, CSA® B64.5, USC's FCCC&HR, UL*, FM*, and the City of New York. All approvals in horizontal and vertical flow-up configurations.

*UL and FM installations must include indicating-type shut-off valves.

ORDERING INFORMATION

4 S - 6 0 X - X X X

SIZE

METER OPTION

SHUT-OFF VALVES

FLOW (OPTIONAL)

SIZE

- G – 10"

METER OPTION

- C – Cubic feet/min
 E – Gallons/min
 G – Less meter

SHUT-OFF VALVES (Inlet x Outlet)

- 1 – Less Shut-off Valves (flanged-end body)
 2 – NRS Flanged x NRS Flanged
 3 – OS&Y Flanged x OS&Y Flanged
 5 – Epoxy-coated Flanged Ball Valves
 6 – OS&Y Flg x Post Indicator Flg
 7 – OS&Y Flg x OS&Y Grv
 8 – OS&Y Grv x OS&Y Grv
 10 – OS&Y Flg x Post Indicator Grv

FLOW

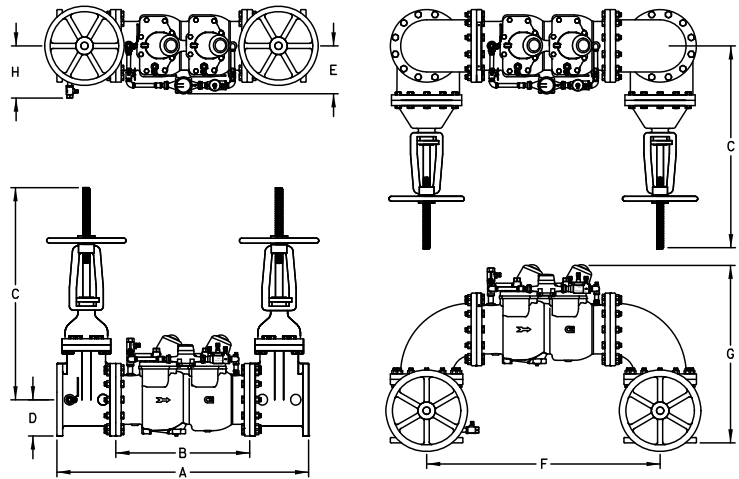
- N – N-Flow (with elbows)

Model DCDA4S

DOUBLE CHECK DETECTOR ASSEMBLY

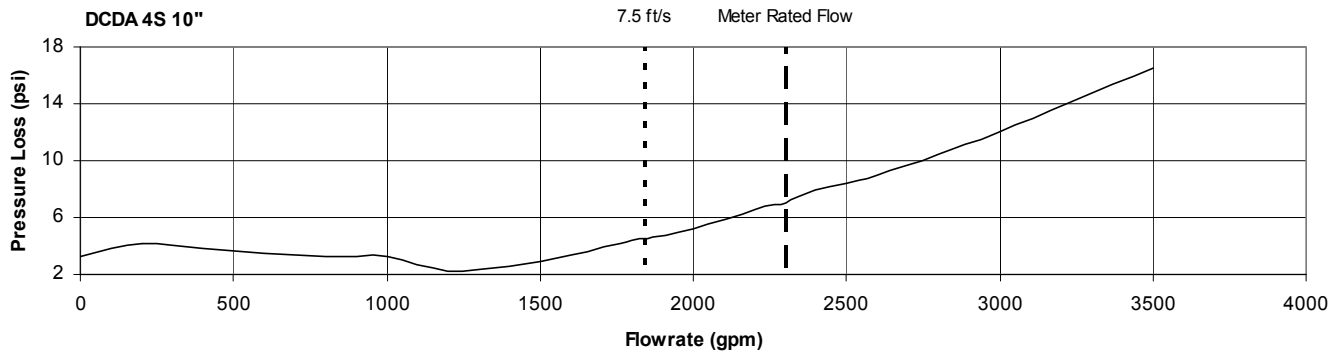
DIMENSIONS (in.) – WEIGHTS (lbs.)

| Size | 10" |
|----------------------------------|---------|
| A | 55 3/4 |
| B | 29 1/2 |
| C (OS&Y OPEN) | 46 |
| D | 8 |
| E | 10 3/4 |
| F | 51 3/4 |
| G | 39 1/2 |
| H | 11 1/2 |
| Test Cocks (Mainline) | 3/4 NPT |
| Test Cocks (Bypass) | 1/4 NPT |
| Net Wt. (Less Gate Valves) | 490 |
| Net Wt. (w/OS&Y Valves) | 1340 |
| Net Wt. (w/Elbows & OS&Y Valves) | 1714 |
| Net Wt. (w/Post Indicator) | 1277 |



* Nominal dimensions are shown. Allowances must be made for manufacturers' tolerances.

FLOW CURVES



Notes:

1. Flow curves directly reflect data collected by an ASSE approved laboratory.
2. All data points are based on ASSE increasing flow data, from zero GPM to Meter Rated Flow (opening curve).
3. For high flow rates/pressure loss information – contact factory.