

'Apollo' Valves

SUBMITTAL SHEET

LEAD FREE*

- PVB4A & PVBLF4A Series -

Pressure Vacuum Breaker
- A Series -



Job Name:	
Job Location:	
Engineer:	
Contractor:	
Tag:	
PO Number:	
Representative:	
Wholesale Distributor:	



DESCRIPTION

The Apollo® Model PVB4A and PVBLF4A Pressure Vacuum Breaker A Series prevents contamination of the potable water supply due to back-siphonage. A standard integral freeze protection relief valve serves to reduce the possibility of damage due to intermittent freezing conditions. The modular check valve cartridge provides a captured spring, a replaceable seat, and a reversible silicone seat disc. This **Made in America** assembly features ball valve shutoffs with stainless steel handles and nuts as standard and carries the **five-year** Apollo® factory warranty.

FEATURES

- Low pressure loss documented by independent approval agencies
- Built-in freeze resistance feature standard
- Easily removable modular check valve cartridge
- Captured stainless steel springs
- Ball valve shutoffs w/ SS handles & nuts standard
- Test cocks located for easy draining
- Corrosion resistant
- No special tools required
- Unique canopy detachment
- **Made in the USA**
- Vertical up / Horizontal installation

PERFORMANCE RATING

- Maximum Operating Pressure: 150 psi
- Temperature Range: 33 °F – 140 °F

APPROVALS

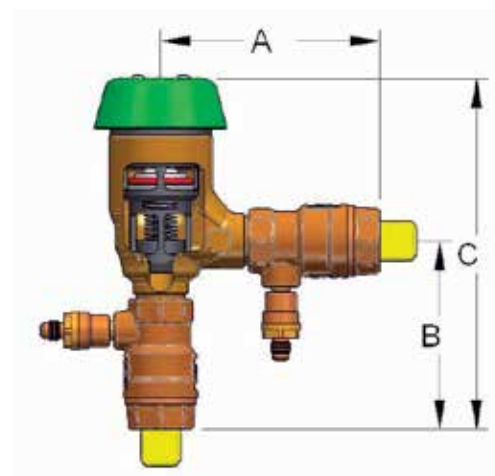
- ASSE 1020
- CSA B.64.1.2
- IAPMO
- Approved by the Foundation for Cross-Connection Control and Hydraulic Research at the University of Southern California

STANDARD MATERIALS LIST

Part Name	Material
Body	Bronze C84400 or C89836 Lead Free*
Ball Valves, Test cocks	Bronze C84400 or C87800 Lead Free*
Canopy	UV-Resistant ABS
Bonnet	Glass-Filled PPO
Check Valve Cartridge	Glass-Filled PPO
Springs	Stainless Steel
Seat Discs	Chloramine-resistant Silicone
Float	Glass-Filled Polypropylene
O-rings	Chloramine-resistant EPDM

DIMENSIONS

Factory Number	Size (in.)	Dimensions (in.)			Wt. (lbs.)
		A	B	C	
4A503A2	1/2"	4-1/2	3-3/4	7-1/4	2.9
4A504A2	3/4"	4-3/4	4-1/8	7-5/8	3.0
4A505A2	1"	5-3/8	4-5/8	8-3/8	4.2
4A506A2	1-1/4"	7	5-1/4	9-7/8	4.4
4A507A2	1-1/2"	7-1/4	5-5/8	10-1/8	7.3
4A508A2	2"	8-1/2	6-3/8	11-1/2	8.9



* **LEAD FREE:** The wetted surfaces of this product shall contain no more than 0.25% lead by weighted average. Complies with Federal Public Law 111-380. ANSI 3rd party approved and listed.

Apollo Valves, Manufactured by **Conbraco Industries, Inc.**
701 Matthews Mint-Hill Road, Matthews, NC 28105 USA
www.apollovalves.com | (704) 841-6000

This specification is provided for reference only. Conbraco Industries Inc. reserves the right to change any portion of this specification without notice and without incurring obligation to make such changes to Conbraco products previously or subsequently sold. Please visit our website @ www.apollovalves.com for the most current information.



'Apollo' Valves

SUBMITTAL SHEET

LEAD FREE*

- PVB4A & PVBLF4A Series -

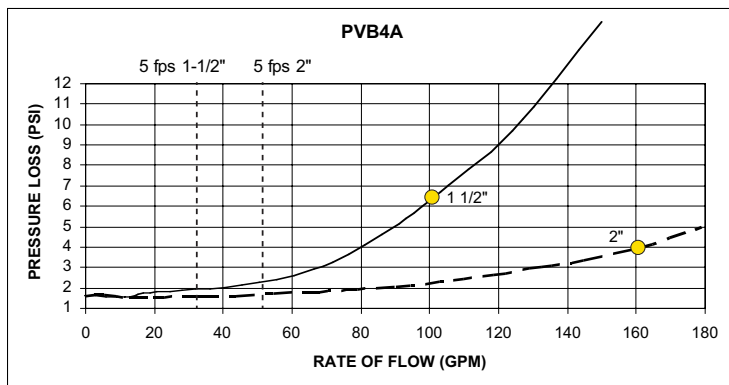
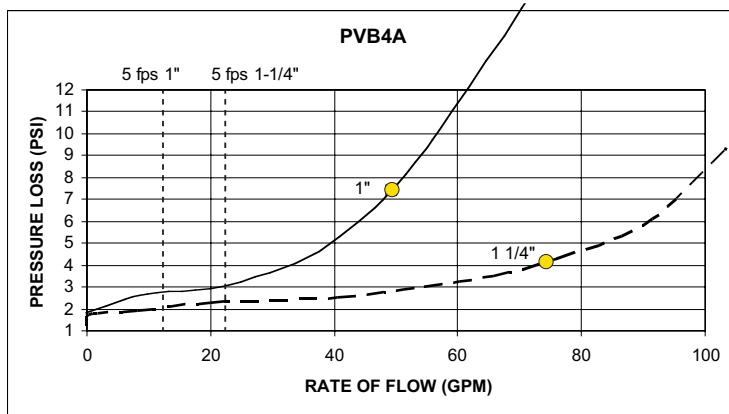
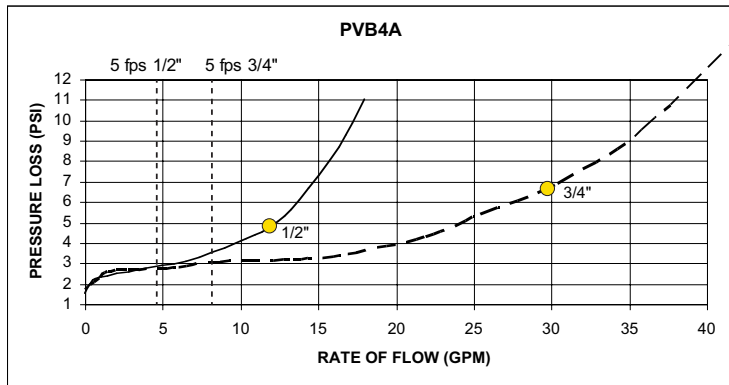
Pressure Vacuum Breaker
- A Series -

FACTORY CODE

4A [XX]	50 X	X X	F
	SIZE	SHUT-OFF VALVES	
4A = Non-Lead Free	3 = 1/2"	A2 = w/ball valves (Standard)	Blank = NPT testcocks
4ALF = Lead Free* (3/4" - 1")	4 = 3/4"	A4 = w/union end ball valves	F = SAE testcocks
	5 = 1"		
	6 = 1-1/4"		
	7 = 1-1/2"		
	8 = 2"		

FLOW CURVES

● Meter Rated Flow



* LEAD FREE: The wetted surfaces of this product shall contain no more than 0.25% lead by weighted average. Complies with Federal Public Law 111-380. ANSI 3rd party approved and listed.

Curves developed from independent approval agencies actual tests - Consult factory for details.

● indicates rated flow as determined by approval agencies, 7.5 ft/sec is the typical maximum Plumbing system flow rate.

Apollo Valves, Manufactured by **Conbraco Industries, Inc.**
701 Matthews Mint-Hill Road, Matthews, NC 28105 USA
www.apollovalves.com | (704) 841-6000

This specification is provided for reference only. Conbraco Industries Inc. reserves the right to change any portion of this specification without notice and without incurring obligation to make such changes to Conbraco products previously or subsequently sold. Please visit our website @ www.apollovalves.com for the most current information.

