

# 709 Series Double Check Valve Backflow Preventer

**Sizes: 3/4" - 2"**

The No. 709 Series Double Check Valve Backflow Preventer is designed to prevent the reverse flow in water lines and to prevent polluted water from entering into the potable water system. This series can be applied to a variety of installations where the degree of hazard is considered to be low and where approved for specific installations.

No. 709 Series features a modular design concept which facilitates maintenance and assembly access. Series 709QT has quarter-turn, full port, resilient seated, bronze ball valve shut-offs. 3/4" and 1" shut-offs have tee handles. No. 709 has NRS gate valves and ball type test cocks. All sizes can be installed horizontally or vertically.

## FEATURES

- Bronze body construction
- Modular construction with replaceable seats
- Ball valve test cocks
- Low pressure drop
- Available with bronze strainers
- Compact for economy combined with performance
- Design simplicity for easy maintenance
- No special tools required for servicing.

## OPTIONS

(Options can be combined)

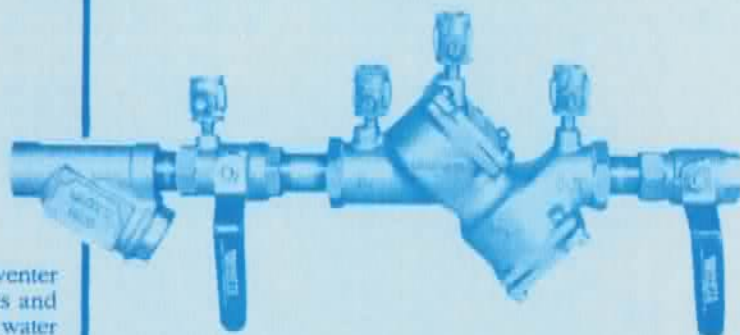
### Suffix:

- S - with bronze strainer.
- HW - with stainless steel, removable check valve seats for hot water to 210°F and aggressive water conditions.
- QT - with 3/4 turn, full port, resilient seated, bronze ball valve shut-offs.
- LF - without shut-off valves.

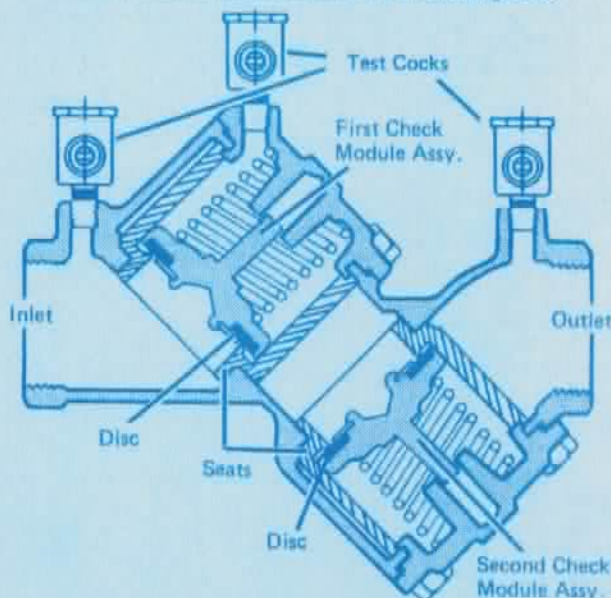
## SPECIFICATIONS

A double check valve backflow preventer shall be installed at referenced cross connections to prevent the backflow of polluted water into the potable water supply. The cross connections shall be determined by local inspection authority for use where a high hazard situation does not exist. It shall be a complete assembly including four ball-type test cocks and shut-off valves. A strainer is recommended.

The device shall meet the requirements of A.S.S.E. Std. 1015; AWWA Std. C510-89, CSA B64.5 or FCCCHR of USC for Cross Connection Control. Watts Regulator Company Series 709 or equal.



First and Second Check Modules are Interchangeable.



## CHECK MODULE ASSEMBLY

No. 709 Series features a modular design concept which facilitates complete maintenance and assembly by retaining the spring load. The first and second check modules are interchangeable.

World Class Valves



HOOTRS: 815 Chestnut St., N. Andover, MA 01845  
 MAIL: Box 628, Lawrence, MA 01842 Telex: 94-7460  
 Tel. (508) 688-1811 Fax: (508) 794-1848/794-1674  
 International Subsidiaries: Watts Regulator of Canada Ltd.  
 Tel. (416) 851 8591 Fax. (416) 851 8788  
 Watts Regulator (Nederland)b.v. Telex 844 35365

## MATERIALS

Bronze body construction - Model 709 celcon check seats, Model 709HW stainless steel check seats - stainless steel trim, durable tight seating rubber discs, bronze ball valve test cocks.

Standardly furnished with non-rising stem (NRS) gate valves.

## PRESSURE - TEMPERATURE

Sizes 3/4" through 2" are suitable for supply pressures up to 175 PSI and water temperatures to 140°F max. Suffix: HW for stainless steel modules, for hot water to 210°F and aggressive water conditions.

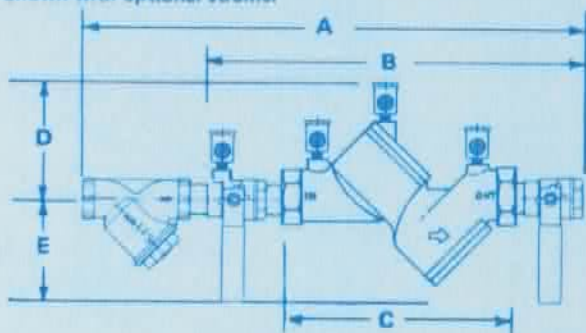
## STANDARDS



Tested and certified under the following standards for double check valve assemblies; A.S.S.E. Standard No. 1015; AWWA Standard C510-89; CSA B64; FCCCHR of USC Manual, Section 10. (Accepted by SBCCI (Standard Plumbing Codes). Listed by IAPMO.

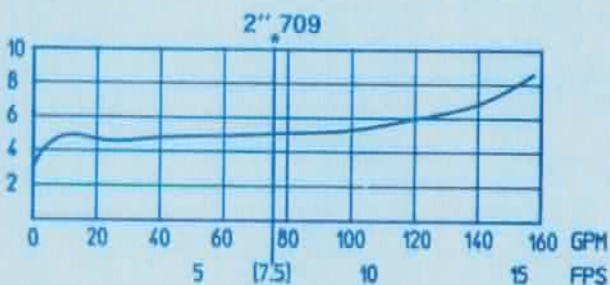
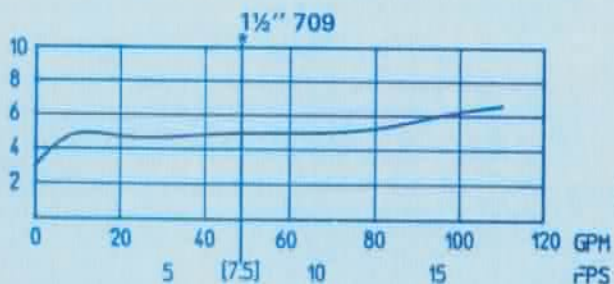
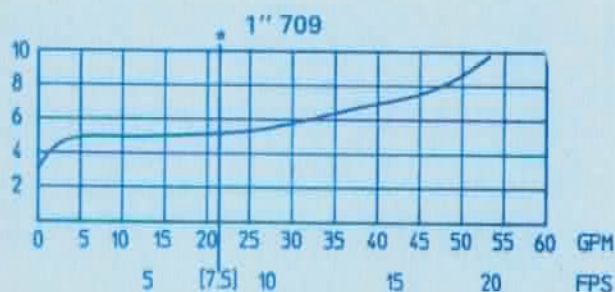
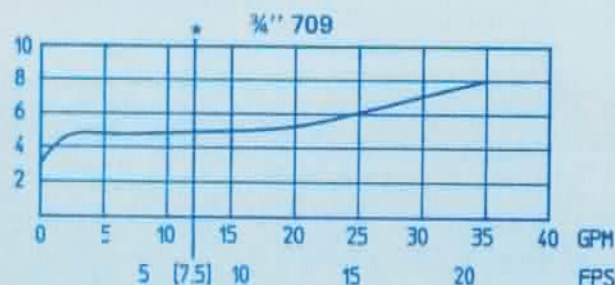
## DIMENSIONS - WEIGHTS

No. 709  
Shown with optional strainer



SIZE	DIMENSIONS (Inches)					Width	Total Weight (Lbs.)	
	A	B	C	D	E		Less Strainer	With Strainer
3/4"	16	12 1/4	7 1/8	4	2 7/8	2 3/4	7 1/4	9
1"	17 3/4	13 3/4	7 1/8	4	2 7/8	2 3/4	8 1/2	11 1/2
1 1/2"	23	16 3/4	10 1/8	5	4 7/8	4 1/4	22 3/4	27 1/4
2"	24 3/4	17 3/4	10 1/8	5	4 7/8	4 1/4	24 1/2	32 1/2

## CAPACITY



\*Typical maximum system flow rate (7.5 ft./sec.)

World Class Valves



Since 1874

BACKFLOW PREVENTION PRODUCTS

**WATTS  
REGULATOR**

**Watts Regulator Company**  
 HQ/OTIS: 816 Chestnut St., North Andover, MA 01845  
 MAIL: Box 628, Lawrence, MA 01842 Telex: 94-7460  
 Tel. (508) 888-1811 Fax: (508) 794-1848/794-1874  
 International Subsidiaries: Watts Regulator of Canada Ltd.  
 Tel. (416) 851-8591 Fax: (416) 851-8788  
 Watts Regulator (Nederland) b.v. Telex: 844-35365