

For Health Hazard Applications

Job Name _____

Contractor _____

Job Location _____

Approval _____

Engineer _____

Contractor's P.O. No. _____

Approval _____

Representative _____

LEAD FREE*

Series LFU009 Reduced Pressure Zone Assemblies

Sizes: 1/2" – 2" (15 – 50mm)

Series LFU009 Reduced Pressure Zone Assemblies are designed to protect potable water supplies in accordance with national plumbing codes and water authority requirements. The swivel feature in the series allows for it to be used in a variety of installations, including the prevention of health hazard cross-connections in piping systems or for containment at the service line entrance.

This series features two in-line, independent check valves, captured springs and replaceable check seats with an intermediate relief valve. Its compact modular design facilitates easy maintenance and assembly access. Sizes 1/2"– 1" (15 – 25mm) shutoffs have tee handles. The LFU009 features Lead Free* construction to comply with Lead Free* installation requirements.

Features

- Unique swivel union
- Single access cover and modular check construction for ease of maintenance
- Top entry — all internals immediately accessible
- Captured springs for safe maintenance
- Internal relief valve for reduced installation clearances
- Replaceable seats for economical repair
- Cast copper silicon alloy body construction for durability
- Ball valve test cocks — screwdriver slotted
- Large body passages provides low pressure drop
- Compact, space saving design
- No special tools required for servicing

Specifications

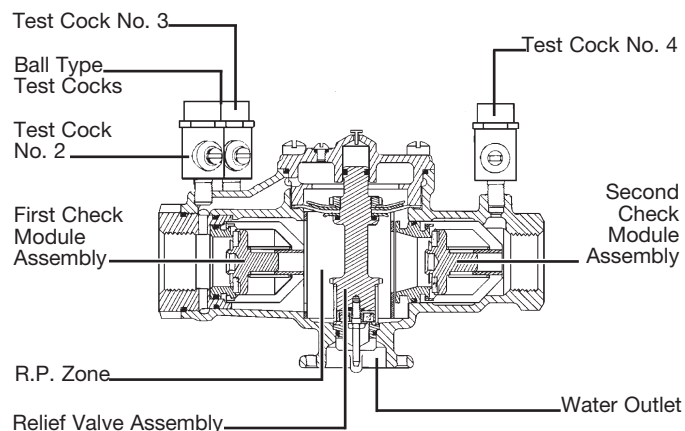
A Reduced Pressure Zone Assembly shall be installed at each potential health hazard location to prevent backflow due to backsiphonage and/or backpressure. Lead Free* reduced pressure zone assemblies shall be constructed using Lead Free* materials. Lead Free assemblies shall comply with state codes and standards, where applicable, requiring reduced lead content. The assembly shall consist of an internal pressure differential relief valve located in a zone between two positive seating check modules with captured springs and silicone seat discs. Seats and seat discs shall be replaceable in both check modules and the relief valve. There shall be no threads or screws in the waterway exposed to line fluids. Service of all internal components shall be through a single access cover secured with stainless steel bolts. The assembly shall also include two resilient seated isolation valves, four resilient seated test cocks and an air gap drain fitting. The assembly shall meet the requirements of: USC Manual 8th Edition†; ASSE Std. 1013; AWWA Std. C511; CSA B64.4. Shall be a Watts Series LFU009.

†Does not indicate approval status. Refer to Page 2 for approved sizes & models.

Watts product specifications in U.S. customary units and metric are approximate and are provided for reference only. For precise measurements, please contact Watts Technical Service. Watts reserves the right to change or modify product design, construction, specifications, or materials without prior notice and without incurring any obligation to make such changes and modifications on Watts products previously or subsequently sold.



1 1/2" LFU009M2



Now Available
WattsBox Insulated Enclosures.
For more information, request literature ES-WB.

*The wetted surface of this product contacted by consumable water contains less than 0.25% of lead by weight.

WATTS®

Available Models

Prefix:

U – union connections

Suffix:

QT – quarter-turn ball valves

S – bronze strainer

SH – stainless steel ball valve handles

NOTICE

The installation of a drain line is recommended. When installing a drain line, an air gap is necessary (see ES-AG/EL/TC).

Materials

Body: Lead Free* cast copper silicon alloy

Discs: Silicone rubber

Check Seats: Replaceable polymer

Relief Valve Seat: Removable stainless steel

Cover Bolts: Stainless steel

Standardly furnished with NPT body connections.

Pressure — Temperature

Maximum Working Pressure: 175psi (12 bar)

Temperature Range: 33°F – 180°F (0.5°C – 82°C)

Standards

USC Manual 8th Edition†

ASSE No. 1013

AWWA C511-92

CSA B64.4

IAPMO File No. 1563.

†Does not indicate approval status. See below for approved models.

Approvals



ASSE, AWWA, CSA, IAPMO

Approved by the Foundation for Cross-Connection Control and Hydraulic Research at the University of Southern California.

Approved models QT, AQT, PC.

UL Classified (Models with LF Suffixes)

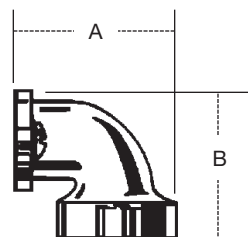
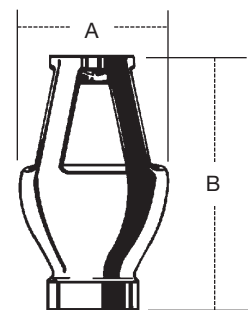
NOTICE

Inquire with governing authorities for local installation requirements

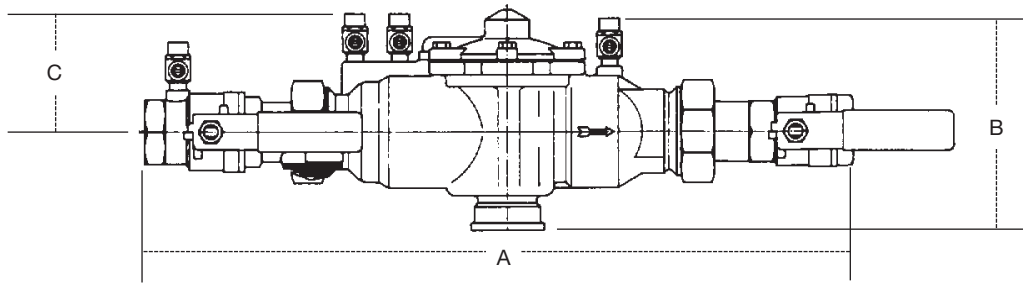
Air Gaps and Elbows

MODEL	DRAIN OUTLET	DIMENSIONS						WEIGHT	
		for LF909, LFU009 and LF993 sizes		A		B		lbs.	kgs.
		in.	mm	in.	mm	in.	mm		
909AGA	1/4"-1/2" 009, 3/4" LF009M2/M3	1/2	13	2 3/8	60	3 1/8	79	.625	.3
909AGC	3/4"-1" LF009/909, 1"-1 1/2" LF009M2	1	25	3 1/4	83	4 7/8	124	1.50	.7
909AGF	1 1/4"-2" LF009M1, 1 1/4"-3" LF009/909, 2" LF009M2, 4"-6" LF993	2	51	4 3/8	111	6 3/4	171	3.25	1.5
909AGK	4"-6" LF909, 8"-10" LF909M1	3	76	6 3/8	162	9 5/8	243	6.25	2.8
909AGM	8"-10" LF909	4	102	7 3/8	187	11 1/4	286	15.50	7.0
909ELA	1/4"-1/2" LF009, 3/4" LF009M2/M3	-	-	-	-	-	-	-	-
909ELC	3/4"-1" LF009/909	-	-	2 3/8	60	2 3/8	60	.38	.2
† 909ELF	1 1/4"-2" LF009M1, 1 1/4"-2" LF009/909, 2" LF009M2, 4"-6" LF993	-	-	3 5/8	92	3 5/8	92	2	.9
† 909ELH Vertical	2 1/2"-3" LF009/909	-	-	-	-	-	-	-	-

† Epoxy coated



Dimensions and Weights



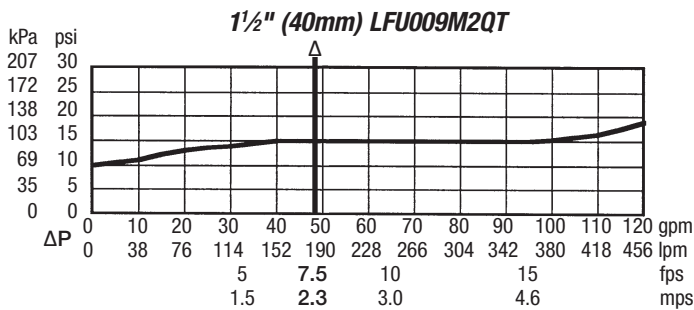
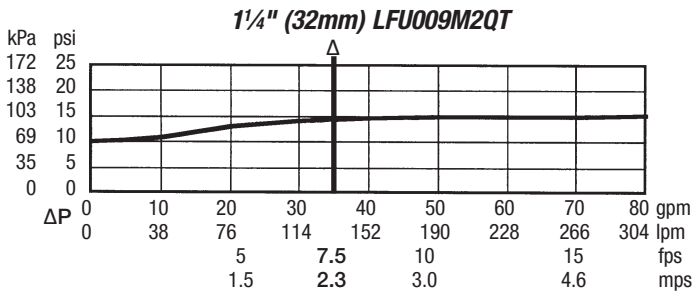
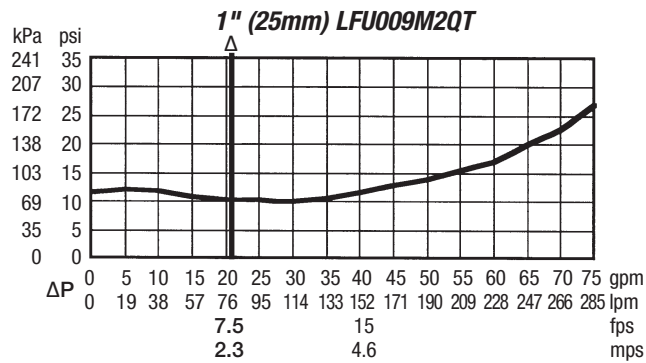
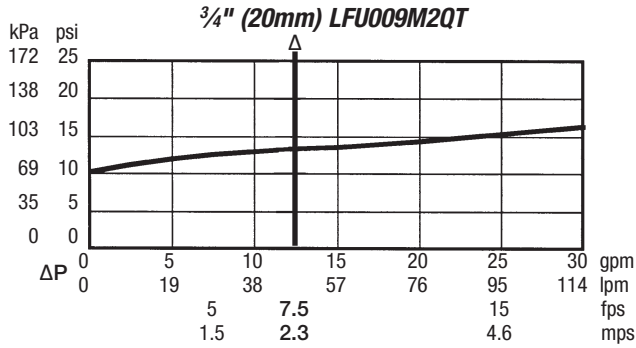
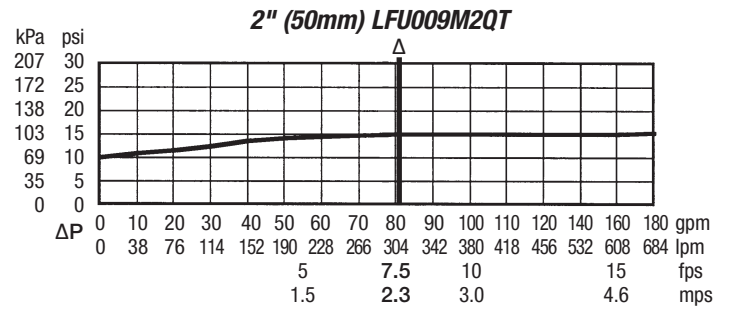
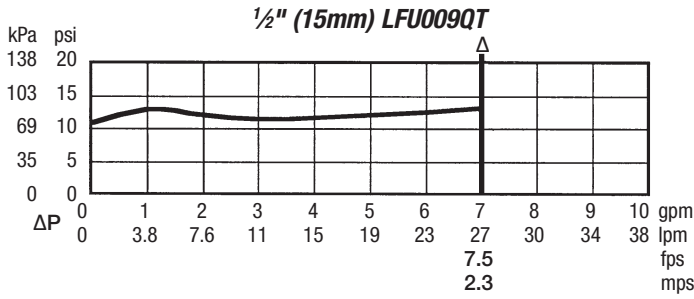
LFU009QT

MODEL	SIZE (DN)		DIMENSIONS						WEIGHT	
	in.	mm	A		B		C		lbs.	kgs.
LFU009QT	1/2	15	12 ¹³ / ₁₆	326	4 ⁵ / ₈	117	3 ⁷ / ₁₆	87	5.5	2.5
LFU009M2QT	3/4	20	13 ³ / ₄	349	5	127	3 ³ / ₄	95	6	2.7
LFU009M2QT	1	25	17 ³ / ₈	441	5 ¹ / ₂	140	3 ¹ / ₈	79	12.75	5.8
LFU009M2QT	1 ¹ / ₄	32	24 ¹ / ₂	622	7 ³ / ₄	197	4	100	26.5	12.0
LFU009M2QT	1 ¹ / ₂	40	25 ¹ / ₂	648	7 ³ / ₄	197	4 ¹ / ₄	108	28.75	13.0
LFU009M2QT	2	50	27 ³ / ₈	695	7 ³ / ₄	197	4 ¹ / ₄	108	32.75	14.9

Capacities

Performance as established by an independent testing laboratory.

Δ Typical maximum system flow rate (7.5 feet/sec., 2.3 meters/sec.)



A Watts Water Technologies Company



ISO 9001-2008
CERTIFIED

USA: Tel: (978) 688-1811 • Fax: (978) 794-1848 • www.watts.com

Canada: Tel: (905) 332-4090 • Fax: (905) 332-7068 • www.watts.ca